

QUBIT



COMPACT CENTRIFUGAL FANS

QUBIT



COMPACT CENTRIFUGAL FANS



up to **110** m³/h



from **11** W



from **20** dBA

FEATURES

Two speed version for continuous or periodic ventilation

IP 45 and intelligent humidity control

Designed for high-resistance ventilation duct systems.

Reliable motor with ball bearings

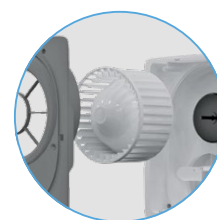
Wall and ceiling mounting



Stylish laconic design

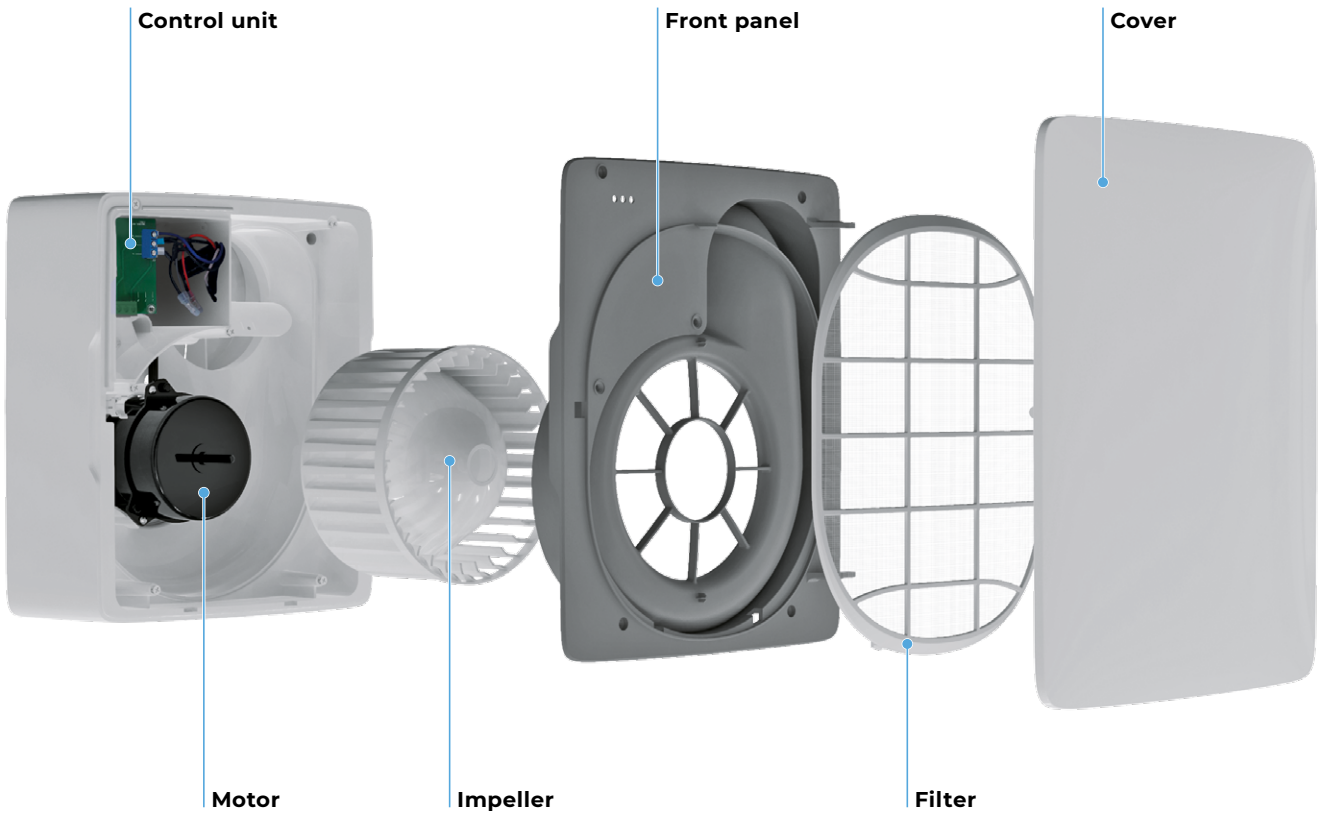


Compact case



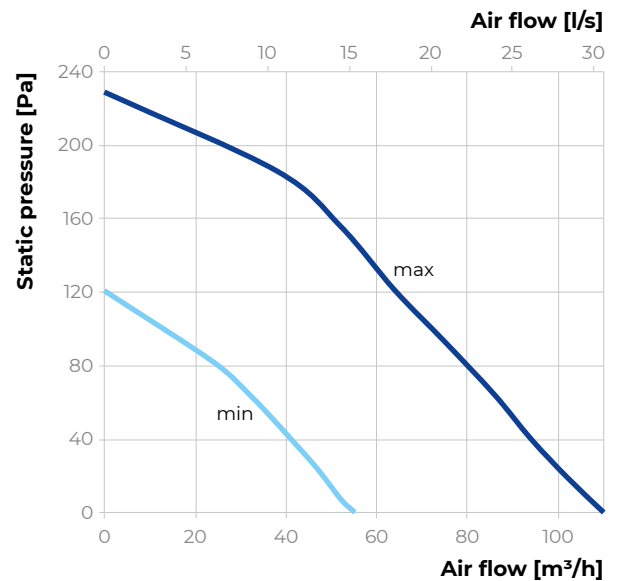
Low noise level

Design

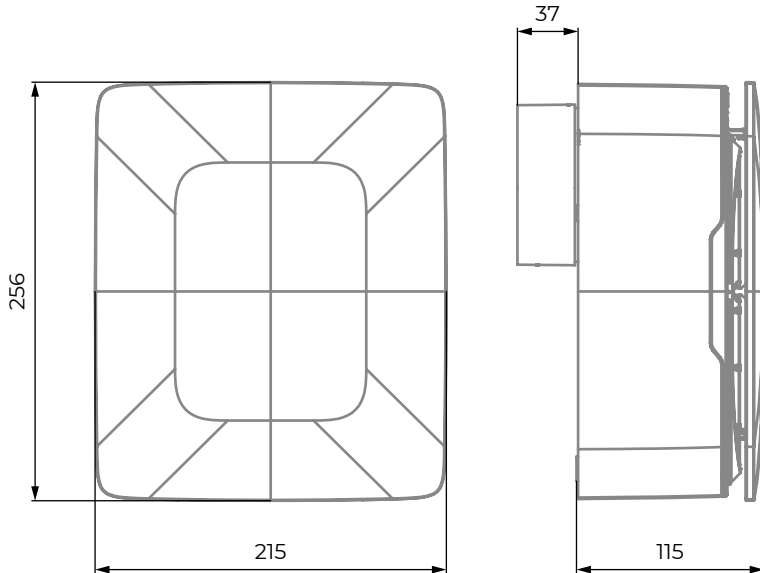


Technical data

Model	Qubit-E 55/110	
Speed	min	max
Frequency [Hz]	50	
Voltage [V]	220-240	
Power Consumption [W]	11	26
Current [A]	0.081	0.116
Maximum air capacity [m ³ /h (l/s)]	55 (15)	110 (31)
SFP [W/l/s]	0.72	0.85
Sound Pressure Level at 3 m [dB(A)]	20	36
IP	IP 45	



Overall dimensions [mm]



blaubergventilatoren.de

Blauberg Ventilatoren GmbH
Stäblistraße 6
81477 Munich, Germany
HRB 203341
info@blaubergventilatoren.de

Technical changes reserved.
Illustrations and texts are non-binding.

01|2024

