

**BLAUFAST**



## **BLAUFAST SYSTEM 52 SEMI-RIGID AIR DUCT SYSTEM**

Flexible solution for efficient ventilation

## CONTENTS

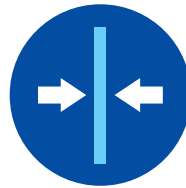
<b>BENEFITS OF THE BLAUFEST SYSTEM</b>	<b>1</b>
<b>TECHNICAL DATA</b>	
Ducts and accessories	4
Connectors	7
Air distribution boxes	8

## BENEFITS OF THE BLAUFAST SYSTEM

Modular **BLAUFAST** system saves living space and offers nonstandard design solutions.



- › Smooth inner surface makes maintenance easy.



- › Compact size. Suitable for nonstandard ceilings with complicated geometry and heated floors.



- › No air leakages.



- › Quick and fast assembly due to flexible air ducts and versatile fittings. No special tools and qualification required.



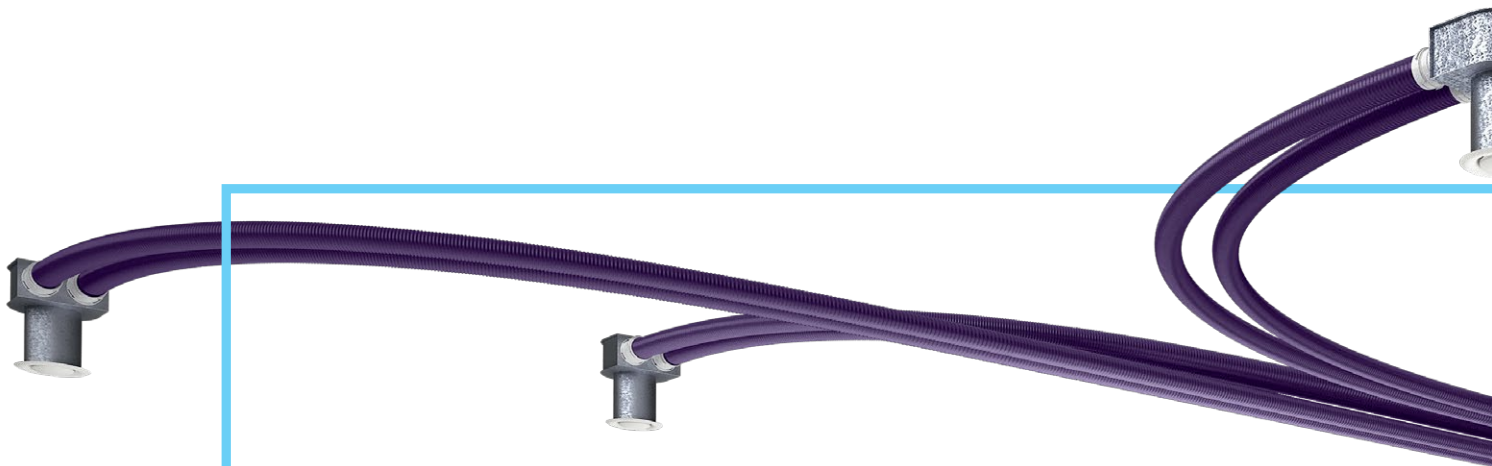
- › Low noise.



- › The material and the form of the semi-rigid air ducts are designed for high external load capacity, i.e. pressure of the concrete floor.



- › Pleasant interior look. The ventilation lines are covered with suspended ceilings, floors or walls. Ventilation supply and exhaust grilles are the only visible components.



The **BLAUFast** modular air distribution system is based on compact corrugated air ducts with the diameter of 90 mm made of impact-resistant plastic.

Energy saving ventilation is easy and fast to arrange with **BLAUFast**. It is applied in houses and apartments and is suitable both for brand new construction or renovation projects.

## **ENERGY SAVING VENTILATION FOR YOUR HOUSE**

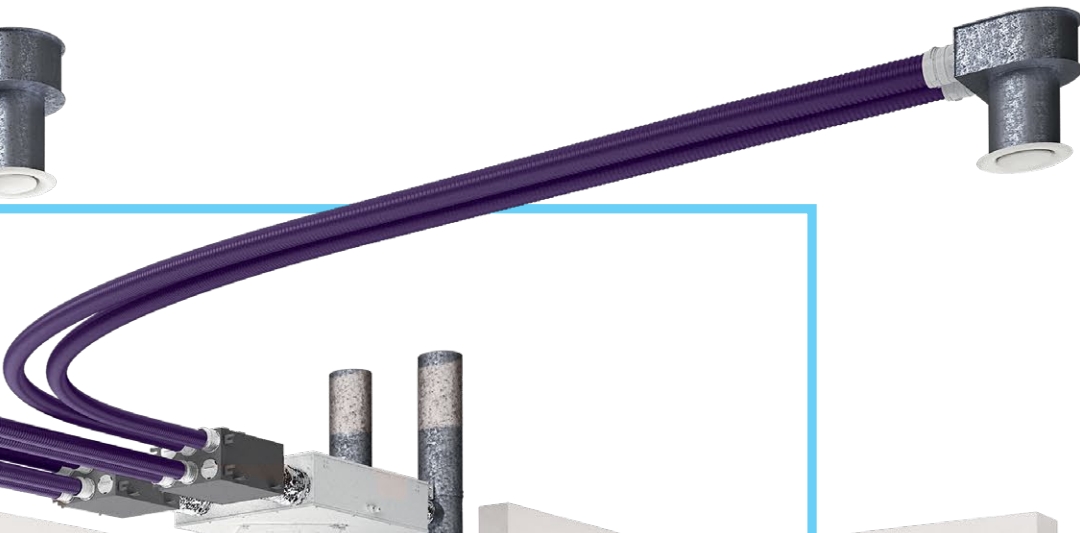
The **BLAUFast** system is designed for joint operation with air handling units.

An air handling unit enables air transportation, filtration and heat recovery.

The **BLAUFast** system enables correct air distribution between the rooms.

**In contrast to standard ventilation system to be mounted exclusively in the ceiling or walls the BLAUFast system has wider mounting possibilities.**

**The air ducts are suitable for ceiling, floor or wall mounting. The assembly is easy and cost-effective.**



The flexible air ducts and versatile fittings are designed to make assembly quick and simple.



## TECHNICAL DATA

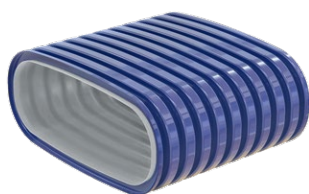
The calculation of the ventilation system and selection of fittings must be based on local construction norms.\*

		Air flow rate [m <sup>3</sup> /h]	Air exchange rate per hour
per apartment		-	0.4 - 1
per person		30	-
bathrooms, toilets	any ventilation period	60	-
	ventilation period > 12 hours	45	-
toilet	any ventilation period	30	-
	ventilation period > 12 hours	25	-
kitchen	any ventilation period	60	-
	ventilation period > 12 hours	45	-

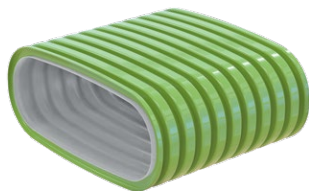
\* recommended air exchange rate for residential buildings in compliance with DIN 1964.6 and DIN 18017.3

## DUCTS AND ACCESSORIES

### OVAL DUCT BLAUFast OK 52/50



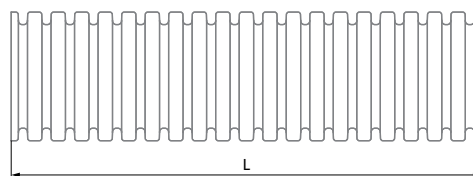
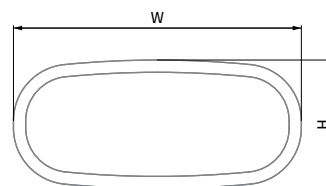
### OVAL DUCT WITH ANTIBACTERIAL AND ANTISTATIC TREATMENT BLAUFast OK 52/50 01



### OVAL DUCT WITH ANTISTATIC TREATMENT BLAUFast OK 52/50 02



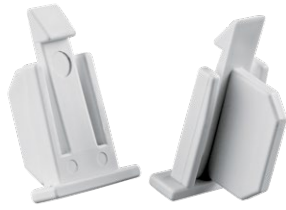
Dimensions [mm]	H	L [m]	W
BlauFast OK 52/50	52	50	117



- Made of high-density polyethylene (HDPE).
- Maximum air flow: 30 m<sup>3</sup>/h.
- Horizontal bend radius:  $r_h = 3 \times B$ .
- Vertical bend radius:  $r_v = 3 \times H$ .
- Circular density 8 kN/m<sup>2</sup> as per EN ISO 9969.
- Operating temperature: from -20 to +60 °C.
- Smooth inner surface for low air resistance and easy cleaning.

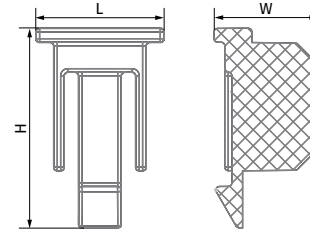
## VERSATILE LOCK BLAUFAST S

For fixing ducts in flanges.



- Made of polypropylene (PP) with thermoplastic elastomer (SEBS).
- Operating temperature: from -20 to +60 °C.

Dimensions [mm]	H	L	W
BlauFast S	28	18	14.5



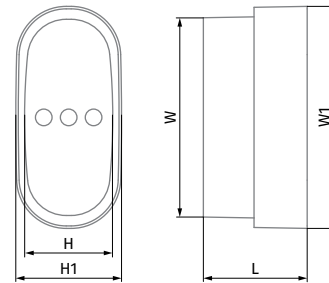
## OVAL PIPE PLUG BLAUFAST OKP 52/60

For sealing 117×52 mm duct ends and preventing debris from entering the duct during construction and installation work.



- Made of polypropylene (PP) with thermoplastic elastomer (SEBS).
- Operating temperature: from -20 to +60 °C.

Dimensions [mm]	H	H1	L	W	W1
BlauFast OKP 52/60	52	64	63	117	134



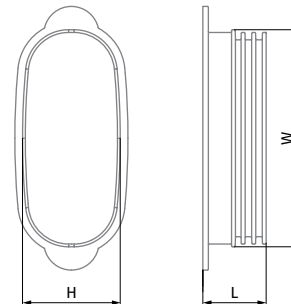
## OVAL FLANGE PLUG BLAUFAST OFF 52

For covering open flanges 117×52 mm in plenums and air distribution boxes.



- Made of polypropylene (PP) with thermoplastic elastomer (SEBS).
- Operating temperature: from -20 to +60 °C.

Dimensions [mm]	H	L	W
BlauFast OFF 52	53	35	118



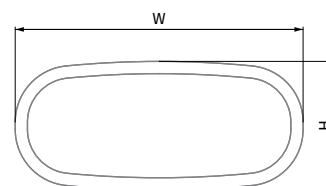
## OVAL SEAL BLAUFAST OL 52

For sealing 117×52 mm ducts and BlauFast flange plugs.



- Made of synthetic rubber.
- Operating temperature: from -20 to +60 °C.

Dimensions [mm]	H	W
BlauFast OL 52	58	123



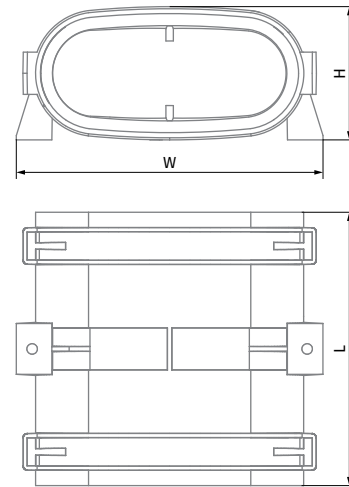
### OVAL COUPLING BLAUFast OM 52

For supply and exhaust systems in residential premises.  
For joining 117×52 mm air ducts.



- Connecting dimensions: 117×52 mm.
- Ducts are fastened with **BlauFast S** locks, purchased separately.
- To ensure air tightness class C, a **BlauFast OL 52** seal (purchased separately) is mounted on a duct.
- Made of polypropylene (PP) with thermoplastic elastomer (SEBS).
- Operating temperature: from -20 to +60 °C.

Dimensions [mm]	H	L	W
BlauFast OM 52	63	130	145



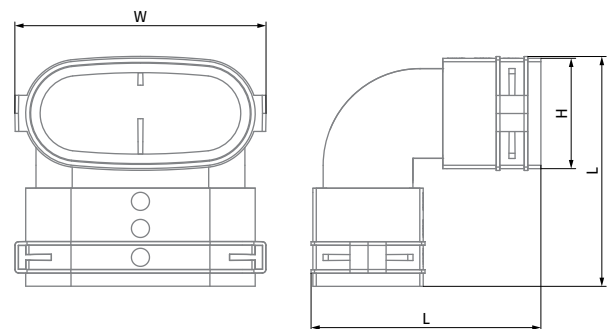
### OVAL VERTICAL ELBOW BLAUFast OBV 52

For supply and exhaust systems in residential premises.  
For connecting 117×52 mm air ducts vertically at 90°.



- Connecting dimensions: 117×52 mm.
- Ducts are fastened with **BlauFast S** locks, purchased separately.
- To ensure air tightness class C, a **BlauFast OL 52** seal (purchased separately) is mounted on a duct.
- Made of polypropylene (PP) with thermoplastic elastomer (SEBS).
- Operating temperature: from -20 to +60 °C.

Dimensions [mm]	H	L	W
BlauFast OBV 52	61	127	139



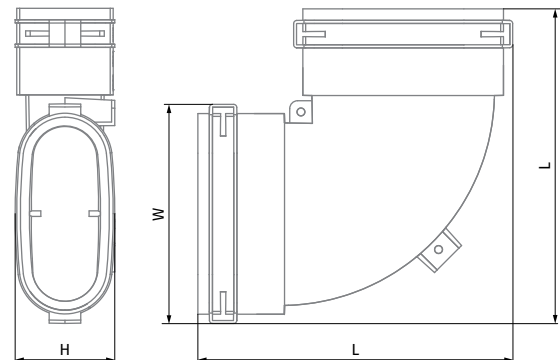
### OVAL HORIZONTAL ELBOW BLAUFast OBH 52

For supply and exhaust systems in residential premises.  
For connecting 117×52 mm air ducts horizontally at 90°.



- Connecting dimensions: 117×52 mm.
- Ducts are fastened with **BlauFast S** locks, purchased separately.
- To ensure air tightness class C, a **BlauFast OL 52** seal (purchased separately) is mounted on a duct.
- Made of polypropylene (PP) with thermoplastic elastomer (SEBS).
- Operating temperature: from -20 to +60 °C.

Dimensions [mm]	H	L	W
BlauFast OBH 52	58	200	139





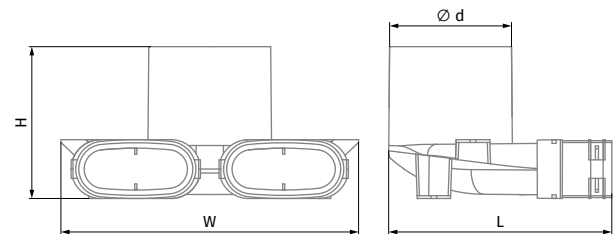
## CONNECTORS

### CEILING-MOUNTED PLASTIC CONNECTOR BLAUFAST OPZ 125/52x2

For supply and exhaust systems in residential premises.  
For under-ceiling mounting.  
Connecting the ventilation grille to 117x52 mm ducts.



Dimensions [mm]	Ø d (inner)	H	L	W
BlauFast OPZ 125/52x2	127	163	240	320



- Connecting dimensions: 117x52 and Ø 125 mm.
- Ducts are fastened with **BlauFast S** locks, purchased separately.
- To ensure air tightness class C, a **BlauFast OL 52** seal (purchased separately) is mounted on a duct.
- Made of polypropylene (PP) with thermoplastic elastomer (SEBS).
- Operating temperature: from -20 to +60 °C.

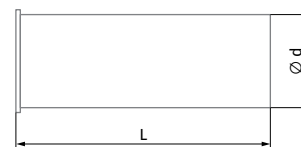
## ACCESSORIES

### PLENUM DUCT BLAUFAST RKPZ 125

For supply and exhaust systems in residential premises.  
For extension of ducts of ceiling-mounted **BlauFast OPZ 125/52x2** plenums.



Dimensions [mm]	Ø d (inner)	L
BlauFast RKPZ 125	127	302



- Connection diameter: 125 mm.
- Made of polypropylene (PP) with thermoplastic elastomer (SEBS).
- Operating temperature: from -20 to +60 °C.

## AIR DISTRIBUTION BOXES

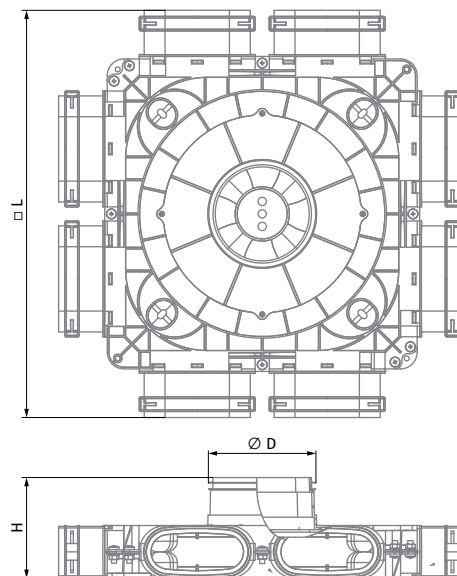
### PLASTIC AIR DISTRIBUTION BOX BLAUFAST SO 125/52x8 60P BLAUFAST SO 160/52x8 60P

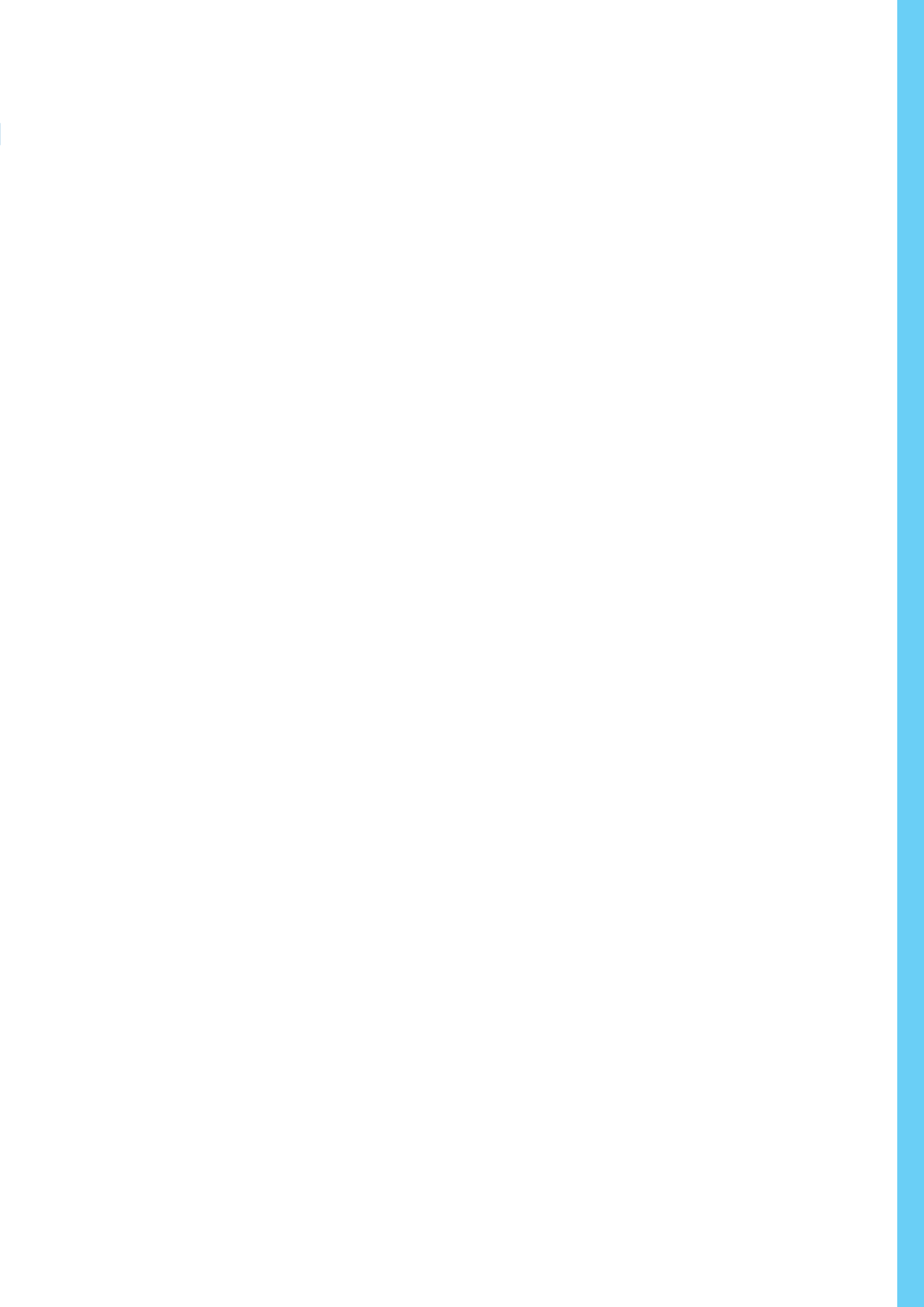
For supply and exhaust systems in residential premises. Distribution of air from the ventilation unit through the ducts.



- Connecting dimensions: 117×52 mm.
- Ducts are fastened with **BlauFast S** locks, purchased separately.
- To ensure air tightness class C, a **BlauFast OL 52** seal (purchased separately) is mounted on a duct.
- Made of polypropylene (PP) with thermoplastic elastomer (SEBS).
- Operating temperature: from -20 to +60 °C.

Dimensions [mm]	∅ D	H	L
BlauFast SO 125/52x8 60P	124	121	488
BlauFast SO 160/52x8 60P	159	121	488





Blauberg Ventilatoren GmbH  
Aidenbachstr. 52  
D-81379 Munich

[info@blaubergventilatoren.de](mailto:info@blaubergventilatoren.de)  
[www.blaubergventilatoren.de](http://www.blaubergventilatoren.de)