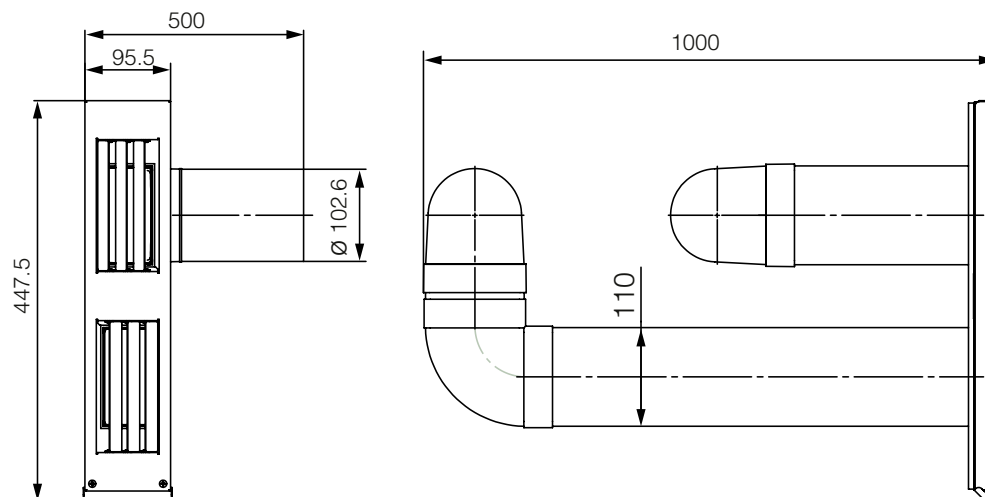


INSTALLATION INSTRUCTION

MS1 Freshbox 110 mounting kit

OUTLINE DRAWING



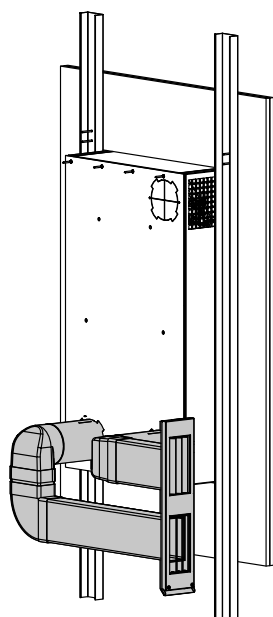
DELIVERY SET

Name	Number
Cardboard template	1 pc.
Plastic air ducts and connecting elements	1 pc.
Supply and exhaust grille	1 pc.
Installation instruction	1 pc.

INSTALLATION

The MS1 Freshbox 110 is designed for flush mounting of the Freshbox 110 unit in the slope of the window (into the foam block or plasterboard).

Installation in plasterboard



Installation in foam block

