

SINGLE-ROOM AIR HANDLING UNIT



CIVIC EC DB 1000
CIVIC EC DBE 1000
CIVIC EC DBE2 1000

EN

USER'S MANUAL

CONTENTS

Safety requirements..... 2
 Purpose..... 5
 Delivery set..... 5
 Designation key..... 5
 Technical data..... 6
 Design and operating principle 7
 Mounting and set-up..... 10
 Connection to power mains 17
 Control 18
 Technical maintenance..... 18
 Troubleshooting..... 21
 Storage and transportation regulations..... 21
 Manufacturer’s warranty 22
 Certificate of acceptance..... 23
 Seller information 23
 Installation certificate..... 23
 Warranty card..... 23

This user’s manual is a main operating document intended for technical, maintenance, and operating staff. The manual contains information about purpose, technical details, operating principle, design, and installation of the CIVIC EC DB 1000 unit and all its modifications. Technical and maintenance staff must have theoretical and practical training in the field of ventilation systems and should be able to work in accordance with workplace safety rules as well as construction norms and standards applicable in the territory of the country. The information in this user’s manual is correct at the time of the document’s preparation. The Company reserves the right to modify the technical characteristics, design, or configuration of its products at any time in order to incorporate the latest technological developments. No part of this publication may be reproduced, stored in a retrieval system, or transmitted, in any form or by any means in any information search system or translated into any language in any form without the prior written permission of the Company.

SAFETY REQUIREMENTS

- Please read the user’s manual carefully prior to installing and operating the unit.
- All user’s manual requirements as well as the provisions of all the applicable local and national construction, electrical, and technical norms and standards must be observed when installing and operating the unit.
- The warnings contained in the user’s manual must be considered most seriously since they contain vital personal safety information.
- Failure to follow the rules and safety precautions noted in this user’s manual may result in an injury or unit damage.
- After a careful reading of the manual, keep it for the entire service life of the unit.
- While transferring the unit control, the user’s manual must be turned over to the receiving operator.

UNIT INSTALLATION AND OPERATION SAFETY PRECAUTIONS



- Disconnect the unit from power mains prior to any installation operations.



- Unpack the unit with care.



- The unit must be grounded!



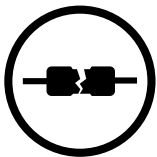
- While installing the unit, follow the safety regulations specific to the use of electric tools.



- Do not change the power cable length at your own discretion.
- Do not bend the power cable.
- Avoid damaging the power cable.
- Do not put any foreign objects on the power cable.



- Do not lay the power cable of the unit in close proximity to heating equipment.



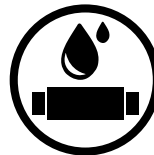
- Do not use damaged equipment or cables when connecting the unit to power mains.



- Do not operate the unit outside the temperature range stated in the user's manual.
- Do not operate the unit in aggressive or explosive environments.



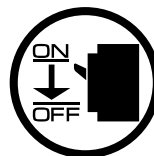
- Do not touch the unit controls with wet hands.
- Do not carry out the installation and maintenance operations with wet hands.
- Do not allow children to operate the unit.



- Do not wash the unit with water.
- Protect the electric parts of the unit against ingress of water.



- The unit is allowed to be used by children aged from 8 years old and above and persons with reduced physical, sensory, or mental capabilities or no experience and knowledge provided that they have been given supervision or instruction regarding safe use of the unit and understand the risks involved.



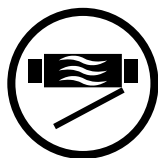
- Disconnect the unit from power mains prior to any technical maintenance.



- Do not store any explosive or highly flammable substances in close proximity to the unit.



- When the unit generates unusual sounds, odour, or emits smoke, disconnect it from power supply and contact the Seller.



- Do not open the unit during operation.



- Do not direct the air flow produced by the unit towards open flame or ignition sources.



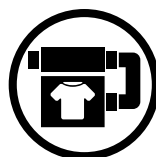
- Do not block the air duct when the unit is switched on.



- In case of continuous operation of the unit, periodically check the security of mounting.



- Do not sit on the unit and avoid placing foreign objects on it.



- Use the unit only for its intended purpose.



**THE PRODUCT MUST BE DISPOSED SEPARATELY AT THE END OF ITS SERVICE LIFE.
DO NOT DISPOSE THE UNIT AS UNSORTED DOMESTIC WASTE.**

PURPOSE

The unit is designed to ensure continuous mechanical air exchange in houses, offices, hotels, cafes, conference halls, and other utility and public spaces as well as to recover the heat energy contained in the air extracted from the premises to warm up the filtered stream of intake air.

The unit is not intended for organizing ventilation in swimming pools, saunas, greenhouses, summer gardens, and other spaces with high humidity.

Due to the ability to save heating energy by means of energy recovery, the unit is an important element of energy-efficient premises.

The unit is a component part and is not designed for stand-alone operation. It is rated for continuous operation.

Transported air must not contain any flammable or explosive mixtures, evaporation of chemicals, sticky substances, fibrous materials, coarse dust, soot and oil particles or environments favourable for the formation of hazardous substances (toxic substances, dust, pathogenic germs).



THE UNIT SHOULD NOT BE OPERATED BY CHILDREN OR PERSONS WITH REDUCED PHYSICAL, MENTAL, OR SENSORY CAPACITIES, OR THOSE WITHOUT THE APPROPRIATE TRAINING.

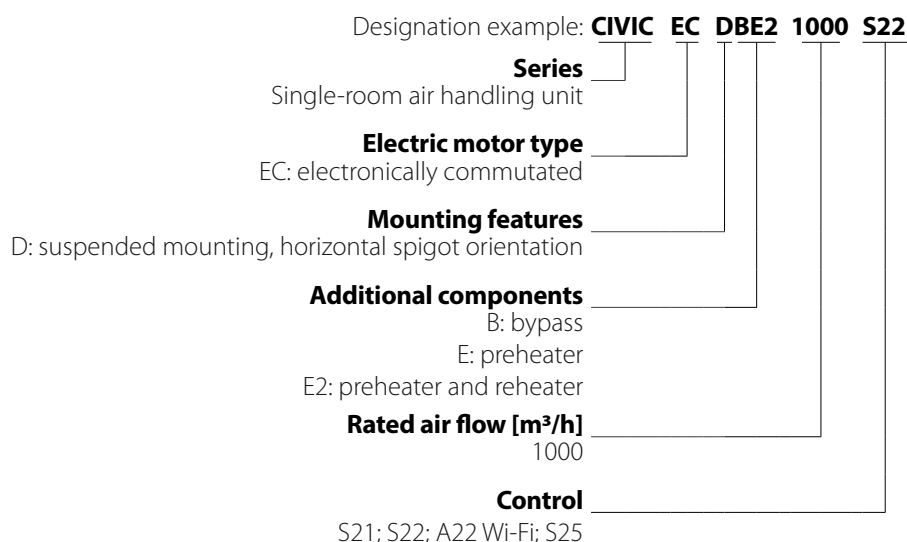
THE UNIT MUST BE INSTALLED AND CONNECTED ONLY BY PROPERLY QUALIFIED PERSONNEL AFTER THE APPROPRIATE BRIEFING.

THE CHOICE OF UNIT INSTALLATION LOCATION MUST PREVENT UNAUTHORIZED ACCESS BY UNATTENDED CHILDREN.

DELIVERY SET

NAME	NUMBER
Air handling unit	1 pc.
User's manual	1 pc.
Control panel	1 pc.
User's manual (control panel)	1 pc.
Service door key	3 pcs.
Mounting bracket	1 pc.
Wi-Fi antenna	1 pc.
L-bracket with fasteners	2 pcs.
Mounting screw with washer	2 pcs.
Set of decorative panels with plugs and fasteners	1 pc.
Mounting template	1 pc.
Packing box	1 pc.

DESIGNATION KEY



TECHNICAL DATA

The unit is designed for application with the ambient temperature ranging from +1 °C to +40 °C and relative humidity up to 80 %. In order to prevent condensation on the internal walls of the unit, it is necessary that the surface temperature of the casing is 2-3 °C above the dew point temperature of the transported air.

The unit is rated as a Class I electrical appliance.

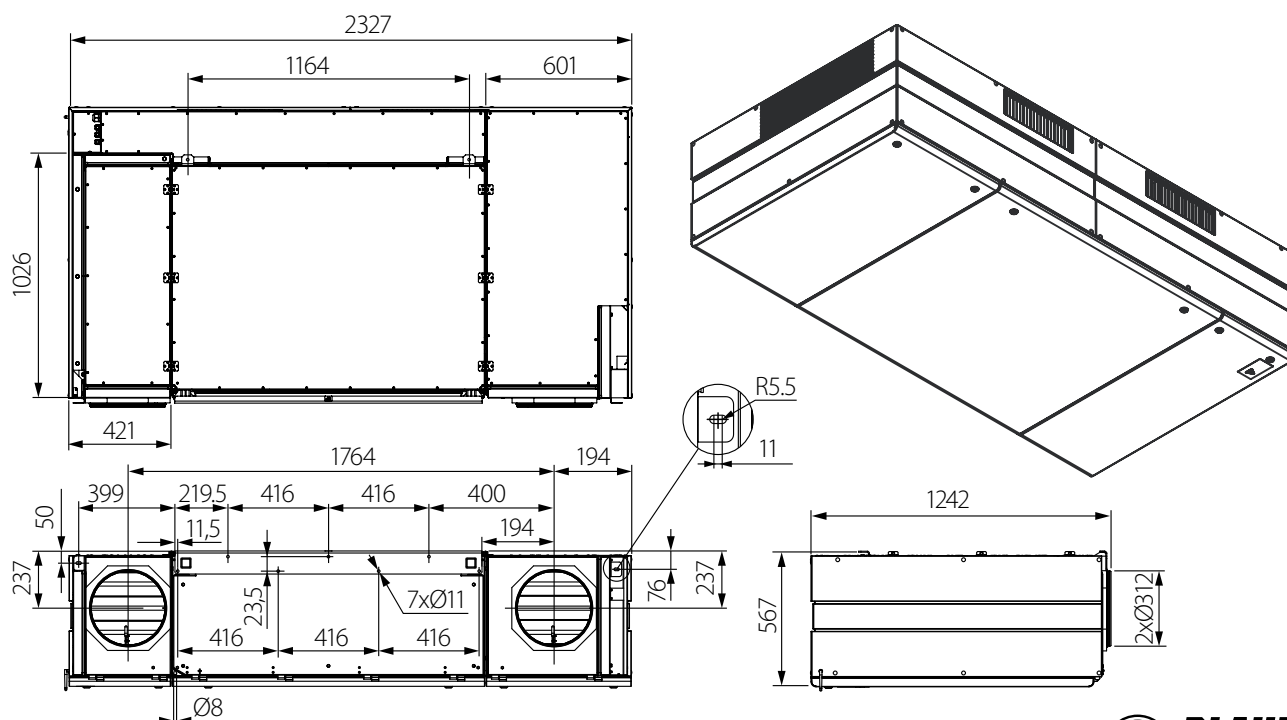
Hazardous parts access and water ingress protection rating:

- IP22 for the unit connected to the air ducts
- IP44 for the unit motors

The unit design is constantly being improved, thus some models may be slightly different from those described in this manual.

	CIVIC EC DB 1000	CIVIC EC DBE 1000	CIVICECDBE2 1000
Unit voltage [V/50 (60) Hz]	3~400		
Maximum unit power (without an electric heater) [W]	260		
Electric preheater power [W]	6300		
Electric reheater power [W]	6300		
Maximum unit current (without an electric heater) [A]	1.85		
Maximum unit current (with an electric heater) [A]	1.85	11.2	20.5
Maximum air flow [m³/h]	1000		
RPM [min ⁻¹]	2070		
Sound pressure level at 1 m distance [dBA]	35		
Sound pressure level at 3 m distance [dBA]	25		
Maximum transported air temperature [°C]	-25...+40		
Casing material	painted steel		
Insulation	45 mm, polyester		
Extract filter	G4x2		
Supply filter	G4x2 (optionally F7x2)		
Connected air duct diameter [mm]	315		
Weight [kg]	267	271	275
Heat recovery efficiency [%]	83...93		
Heat exchanger type	counter-flow		
SEC class	A+	A+	A+

OVERALL AND CONNECTING DIMENSIONS [mm]



DESIGN AND OPERATING PRINCIPLE

Warm stale extract air from the room flows into the unit, where it is filtered by the extract filter, then air flows through the heat exchanger and is exhausted outside by the extract fan. Cold fresh air from the outside flows into the unit, where it is cleaned by the supply filter. Then the air flows through the heat exchanger and is directed to the room with the supply fan.

Supply air is heated in the heat exchanger by transferring the heat energy of warm and humid extract air to the cold fresh air. The air flows are fully separated while flowing through the heat exchanger. Heat recovery minimizes heat losses, which reduces the cost of space heating in the cold season.

The unit design consists of four blocks rigidly fastened to each other. For maintenance, the unit is equipped with hinged service doors with locks and service hatches for filter replacement.

Freeze protection is provided in the unit to prevent the heat exchanger from freezing (automatically according to the readings of the temperature sensors):

- By automatically switching off the supply fan.
- By means of a bypass duct with a bypass damper. The damper automatically opens the bypass air duct, directing the supply air flow bypassing the heat exchanger.
- By automatically turning the preheater on.

A freezing danger appears, if the exhaust air temperature downstream of the heat exchanger is below +5 °C and the intake air temperature upstream of the heat exchanger is below -3 °C. After increase of the exhaust air temperature the unit reverts to the previous operation mode.

The difference between the supply and extract air flow temperature leads to condensate generation. Condensate is collected in the drain pan and is removed outside through the drain pipe.

The control unit inside of the unit enables power supply and connection of the external devices.

Depending on the model the unit includes a preheater and a reheater (CIVIC EC DBE2 1000) or only a preheater (CIVIC EC DBE 1000) for warming up of the intake air flow. The preheater prevents freezing of the heat exchanger and is located in the intake air duct upstream of the heat exchanger. The reheater is located in the supply air duct downstream of the heat exchanger.

The air handling unit has a possibility to connect the following sensors:

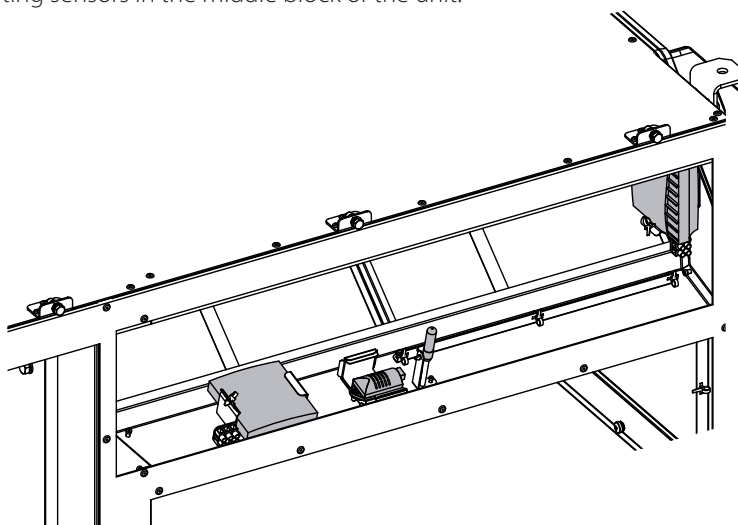
- humidity sensor
- CO₂ sensor
- VOC sensor.

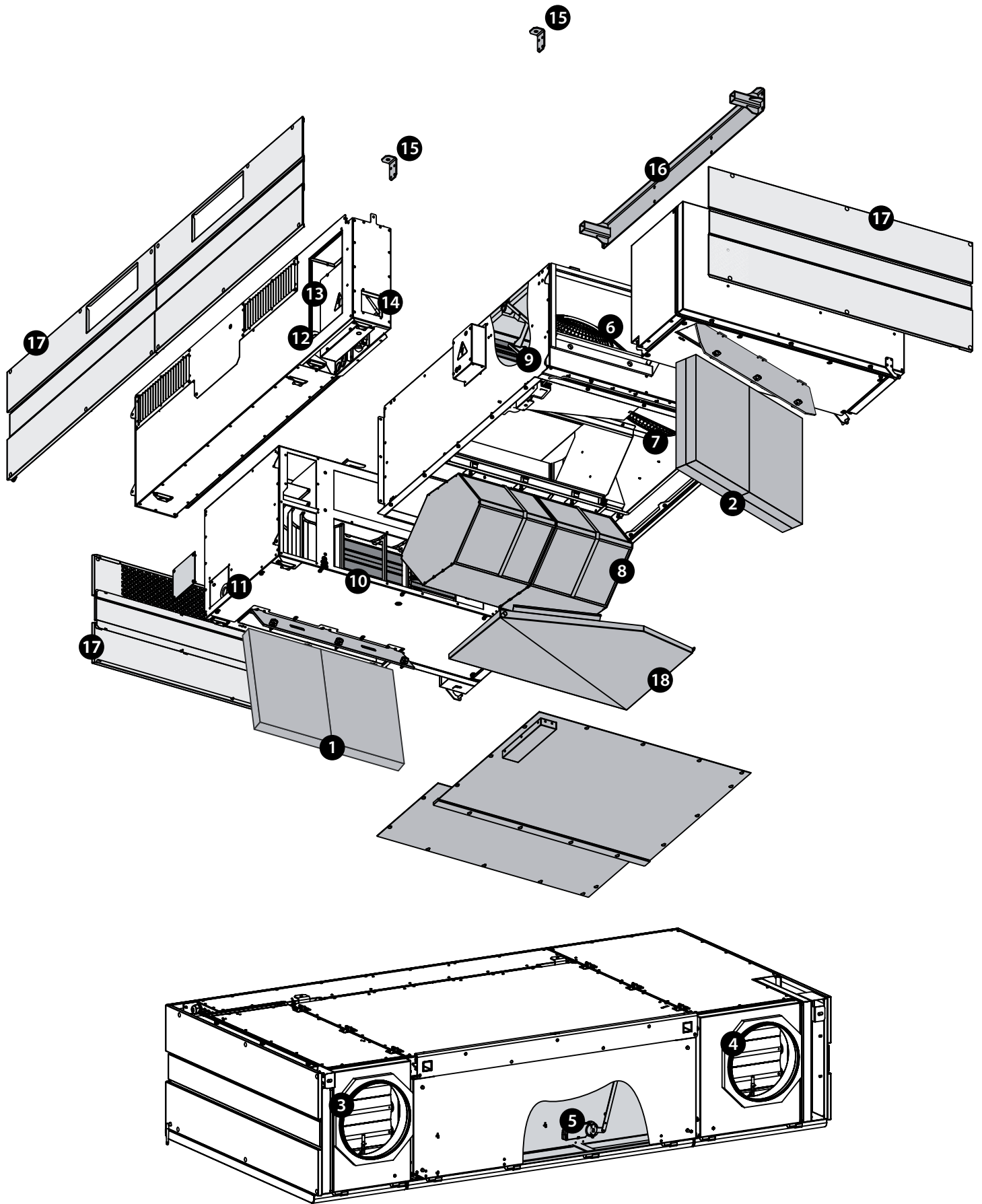
If the humidity level, CO₂ or VOC concentration exceed the set point (set in the user menu), the supply and extract fans automatically switch to higher speed to extract excessive humidity, CO₂ or VOC from the room.

If the humidity level, CO₂ or VOC concentration falls down below the set point, the unit reverts to the previous operation mode.

The sensors are not included in the delivery set and are to be purchased and installed by the user independently.

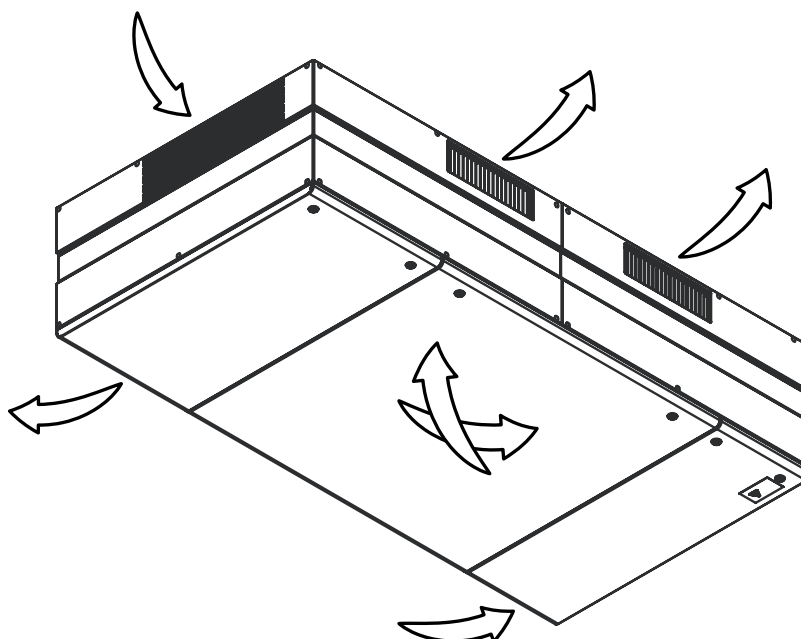
Brackets are provided for mounting sensors in the middle block of the unit.






	CIVIC EC DB 1000	CIVIC EC DBE 1000	CIVIC EC DBE2 1000
1 Extract filter	■	■	■
2 Supply filters	■	■	■
3 Supply air damper actuator	■	■	■
4 Extract air damper actuator	■	■	■
5 Bypass damper actuator	■	■	■
6 Extract fan	■	■	■
7 Supply fan	■	■	■
8 Heat exchanger	■	■	■
9 Supply air preheater		■	■
10 Supply air reheater			■
11 Supply filter differential pressure switch	■	■	■
12 Extract filter differential pressure switch	■	■	■
13 Control unit	■	■	■
14 Wi-Fi antenna	■	■	■
15 Mounting brackets	■	■	■
16 Mounting frame	■	■	■
17 Decorative panels	■	■	■
18 Drain pan	■	■	■

Air movement inside the unit



MOUNTING AND SET-UP

 **WHILE INSTALLING THE UNIT ENSURE CONVENIENT ACCESS FOR SUBSEQUENT MAINTENANCE AND REPAIR.**

 **BEFORE MOUNTING MAKE SURE THE CASING DOES NOT CONTAIN ANY FOREIGN OBJECTS (E.G. FOIL, PAPER).**

 **THE UNIT MUST BE MOUNTED ON A PLANE SURFACE. MOUNTING OF THE UNIT TO AN UNEVEN SURFACE CAN LEAD TO THE UNIT CASING DISTORTION AND OPERATION DISTURBANCE.**

WARNING!

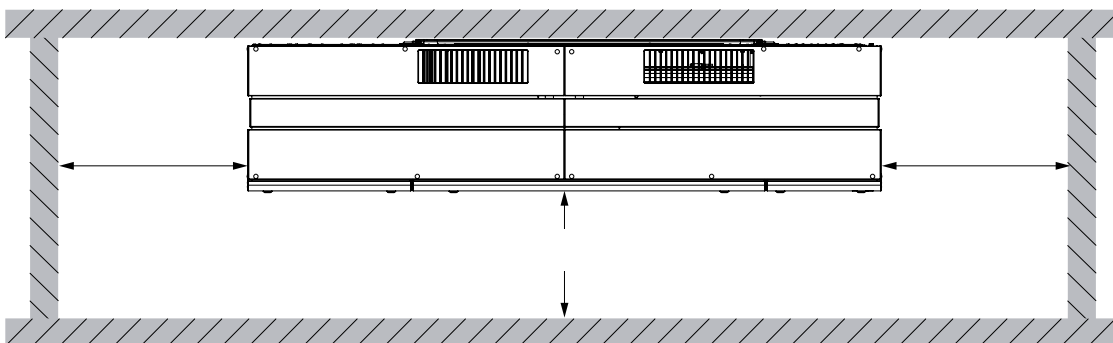
Before installation operations route necessary cables and wires to the unit mounting place.

WARNING!

If the overall dimensions of the assembled unit do not allow moving it to the installation site, it is permissible to temporarily disconnect the unit blocks, and then assemble them in the reverse order.

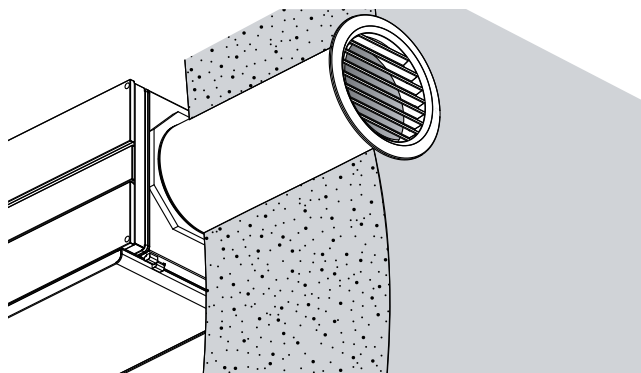
Fasteners for fan mounting are not included in the delivery set and should be ordered separately. While choosing fasteners consider the material of the mounting surface as well as the weigh of the unit, refer to the Technical data section. Fasteners for unit mounting should be selected by the service technician.

The unit may be suspended on threaded rods or may be rigidly fixed to a horizontal surface by anchor bolts. The unit is suspended using the supplied mounting bracket and L-brackets.



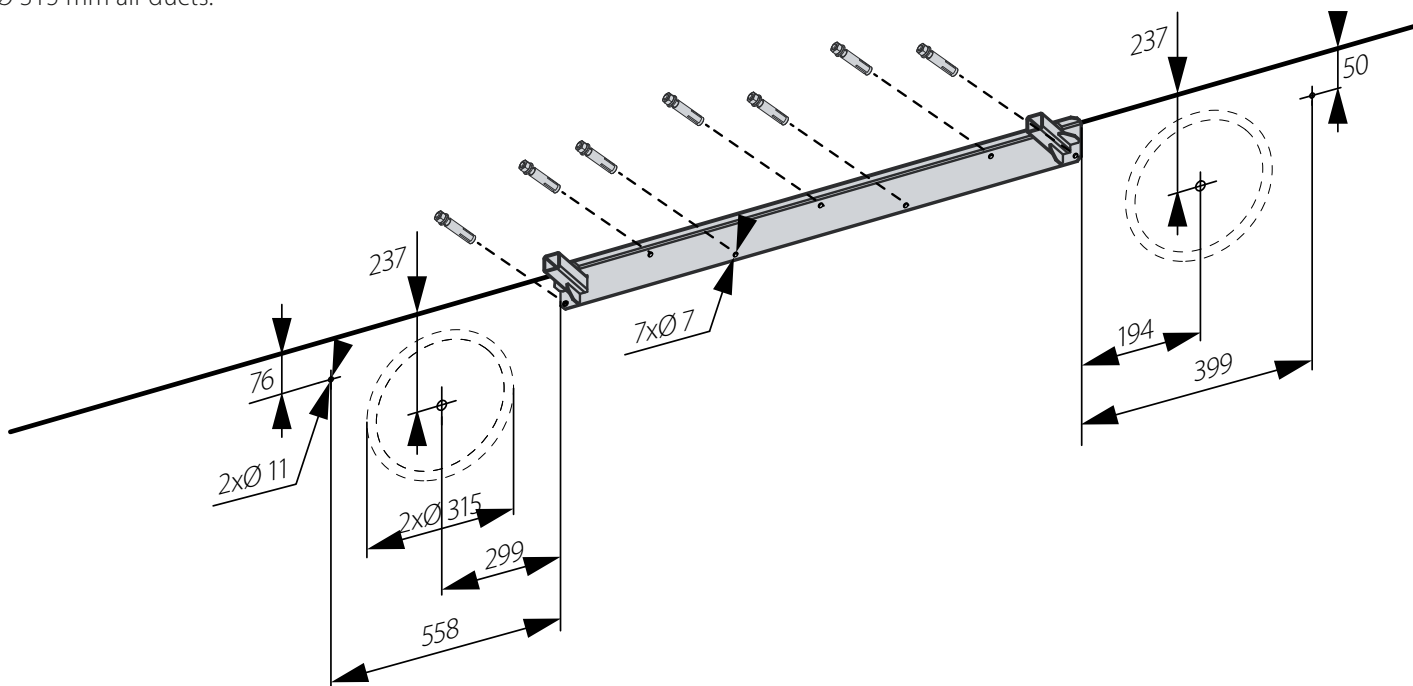
To get the best performance of the unit and to minimize turbulence-induced air pressure losses, connect the straight air duct section to both unit spigots. Minimum straight air duct length: equal to 1 air duct diameter on intake side equal to 3 air duct diameters on outlet side.

To protect the internal parts of the unit from ingress of foreign objects, it is necessary to install a grille or other protective device with mesh width not more than 12.5 mm to prevent free access to the fans. The air ducts, protective grilles and devices are not included in the delivery set and are available upon separate order.

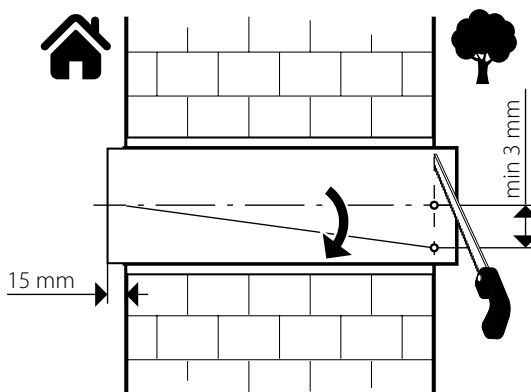
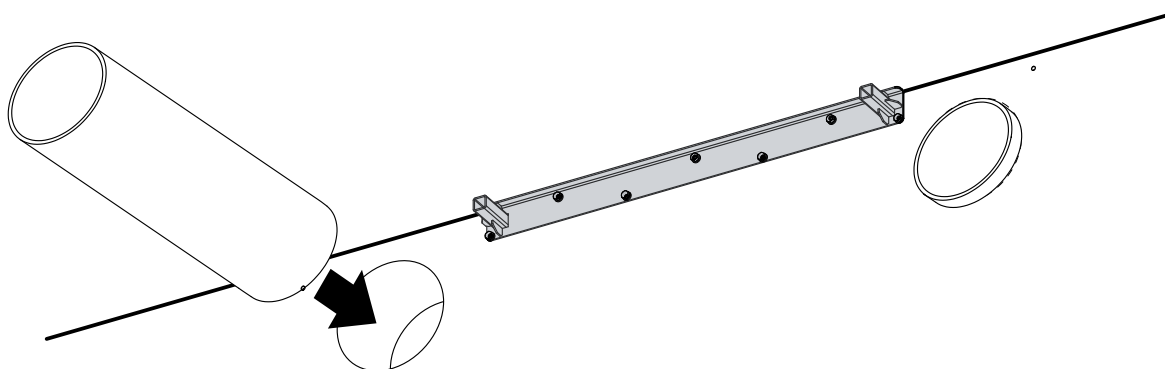


UNIT INSTALLATION

Mark the holes using the mounting bracket or template, drill holes for fasteners and through-holes in the wall $\varnothing \sim 350$ mm for $\varnothing 315$ mm air ducts.



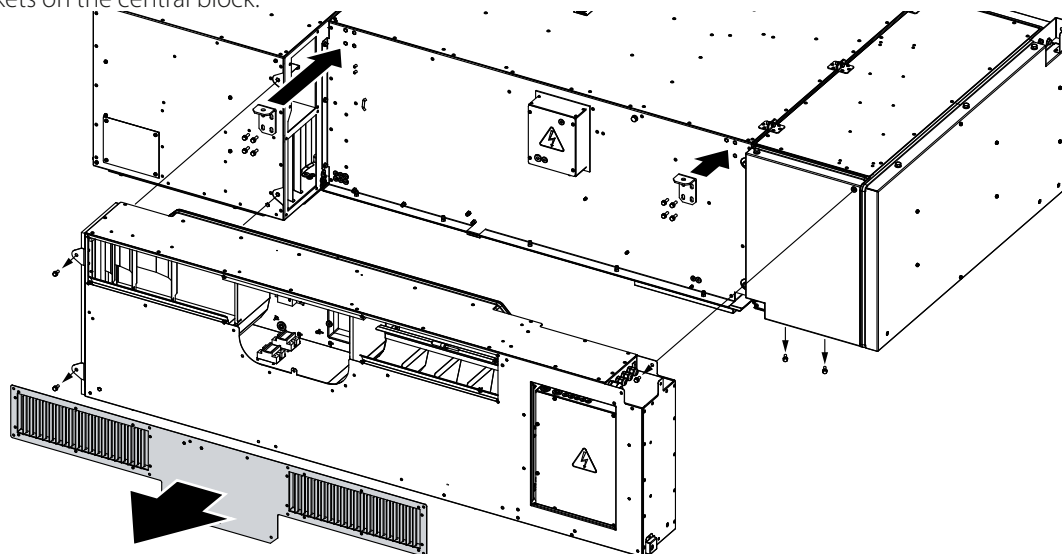
Cut the air ducts to the required length, equal to the wall width, +15 mm to fix the unit to the spigots on the room side. From the outside of the room, the air duct must be cut flush with the wall of the building for the installation of ventilation grilles (purchased separately). Adjustment of the air duct length is possible before and after its fixation in the wall. In the first case the required length must be calculated before mounting and in the second case sufficient access must be provided to cut the air duct length after its installation from outside.



WARNING!
When installing air ducts, a minimum slope of 3 mm downwards must be ensured.

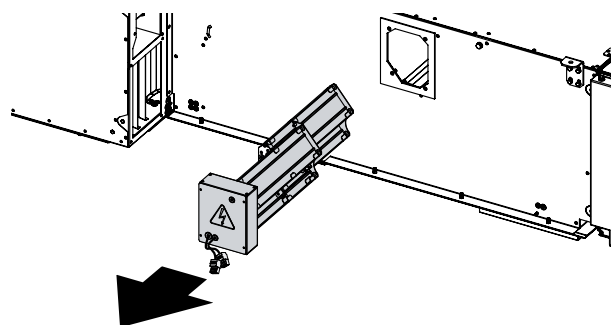
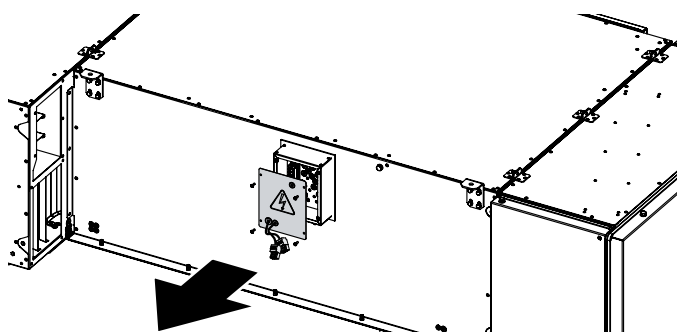
Detach the front block.

Unscrew the screws on the front block and remove the panel with the louvre shutters.
 Detach the connectors for connecting control devices.
 Remove the screws and disconnect the front block from the three blocks attached to each other.
 Install the L-brackets on the central block.



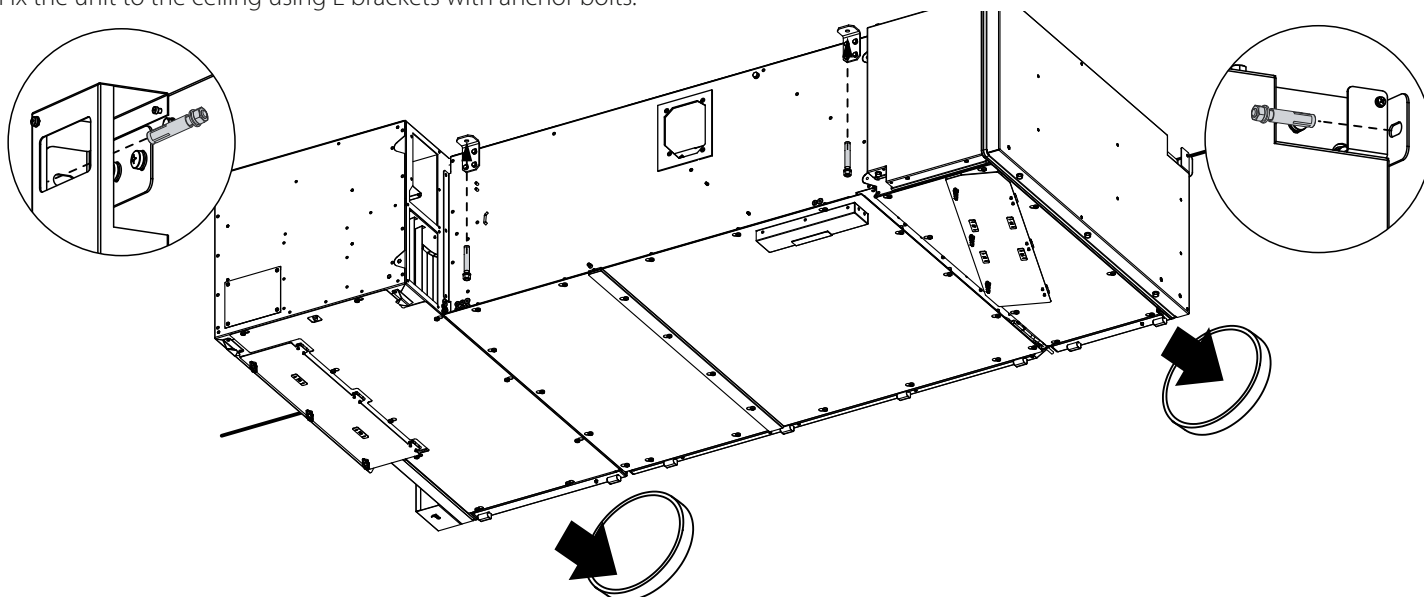
Remove the preheater in the CIVIC EC DBE 1000 and CIVIC EC DBE2 1000 units.

- a) Unscrew the screws on the cover of the heater control unit and remove it. Remove the screws that secure the heater.
- b) Remove the heater with the control box.



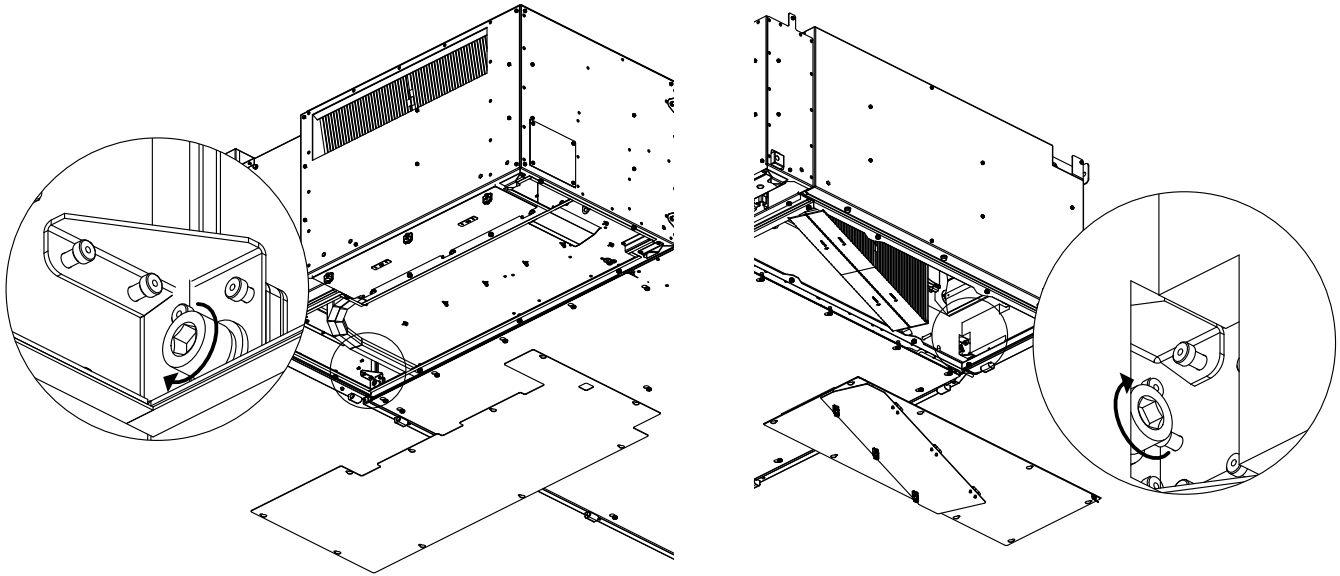
Hang and fasten the unit to the ceiling and wall.

Install three units fixed to each other on the mounting bracket and connect the air ducts to the unit spigots.
 On the left and right blocks, tighten the screws on the brackets that fix the unit to the wall.
 Fix the unit to the ceiling using L-brackets with anchor bolts.

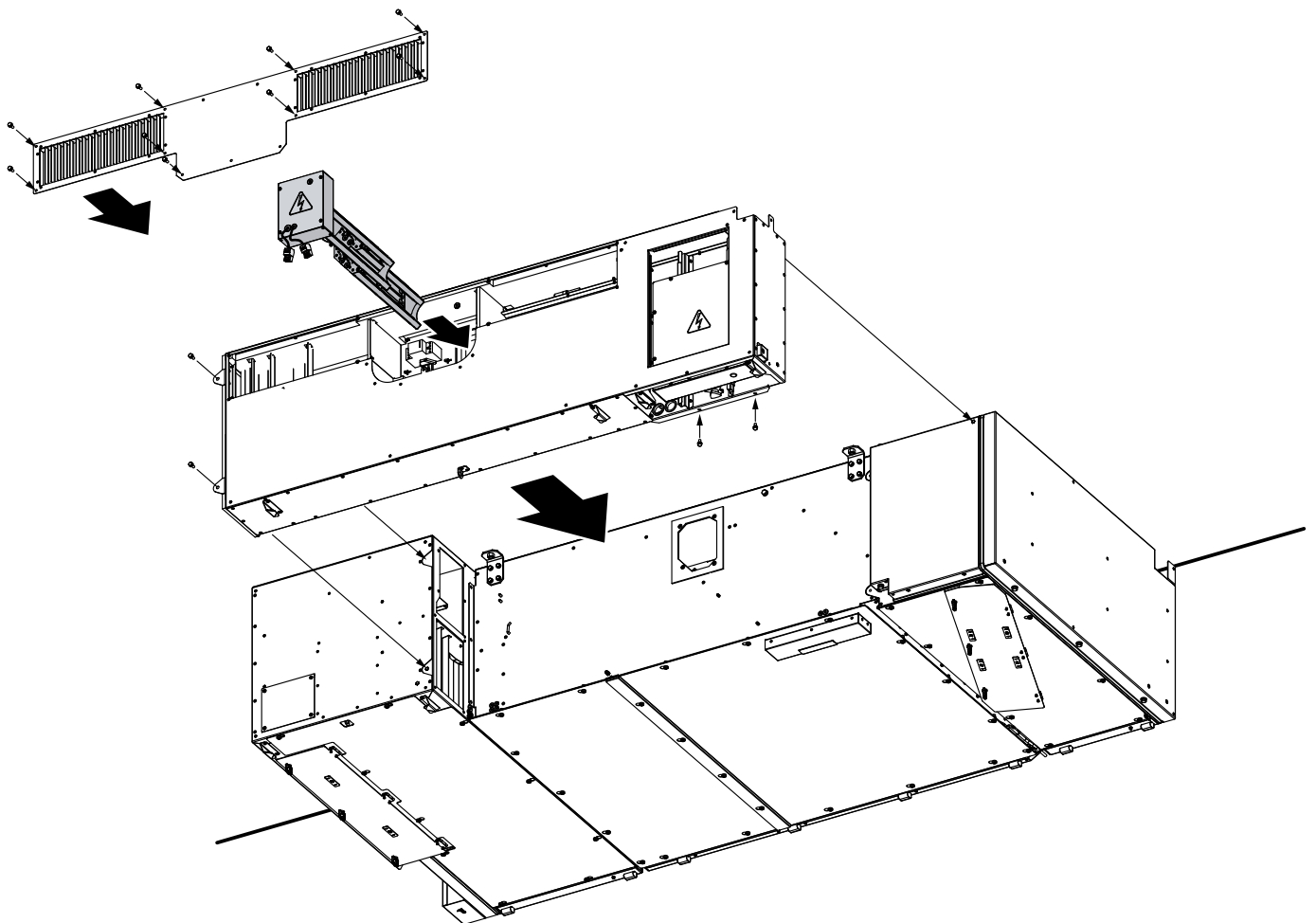


Install and tighten the mounting screws.

Remove the outer casing with the service hatch on the right block and the casing on the left block. Install and tighten the mounting screws (supplied) to securely connect the middle block to the left and right ones. Install the casing back.

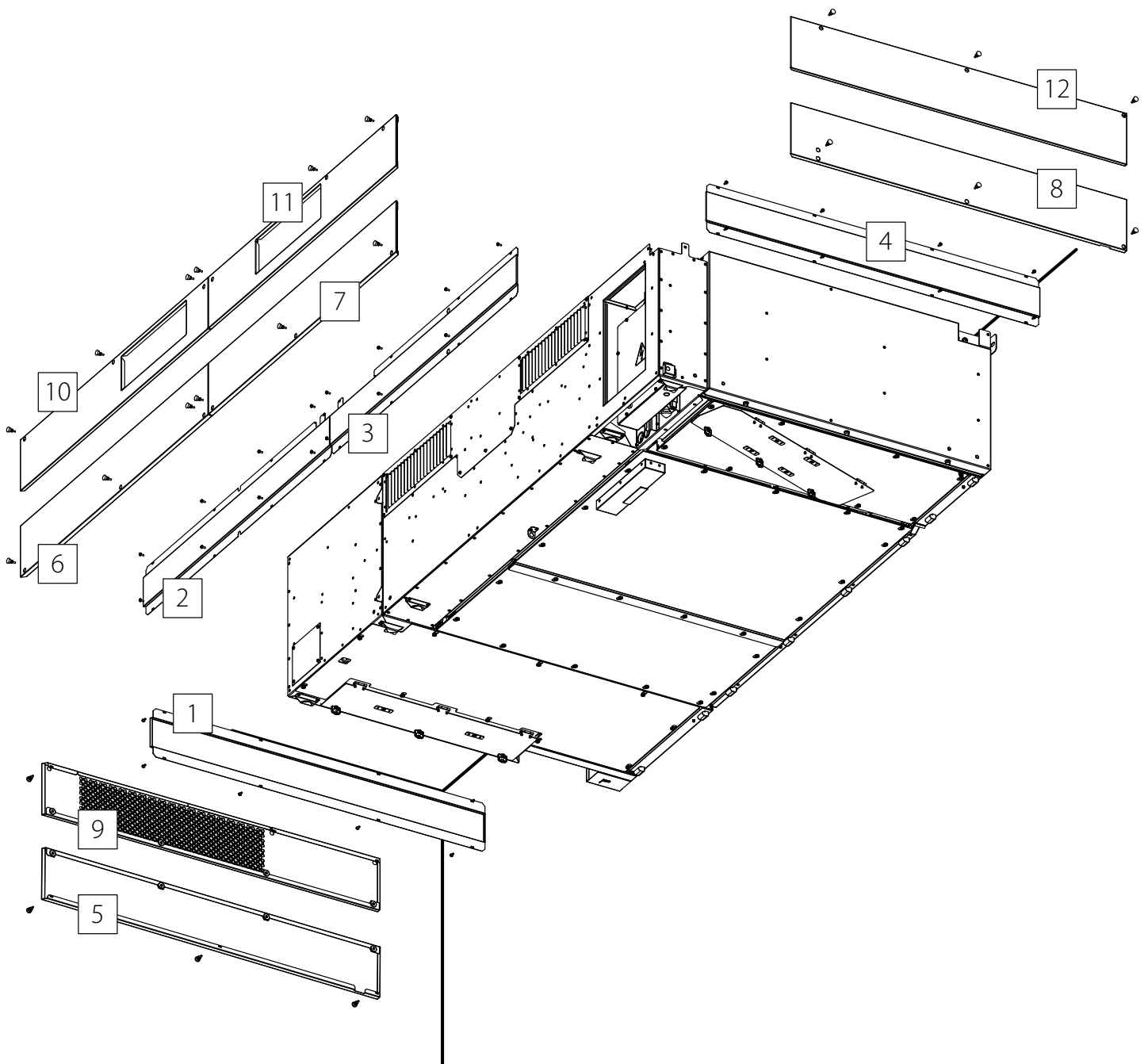
**Mount and connect the front block.**

Mount the front block in the reverse order; in the CIVIC EC DBE 1000 and CIVIC EC DBE2 1000 units reinstall the heater. Connect the connectors of the control devices according to the marking.



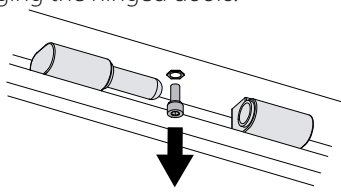
Install the decorative panels.

Install the decorative panels according to the marking using the screws and close the fastening holes with plugs.

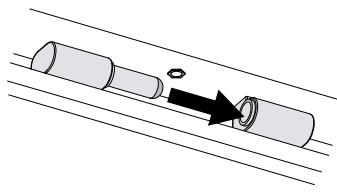


Install the hinged doors.

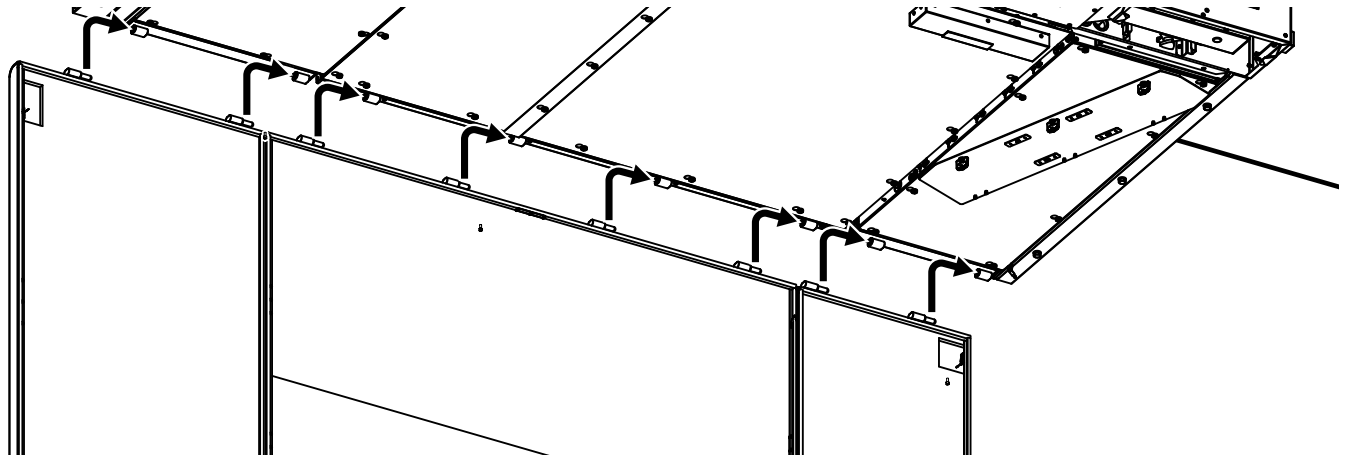
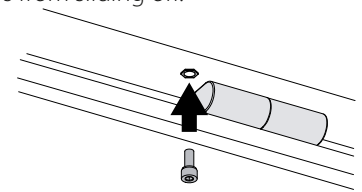
Remove the retaining screws before hanging the hinged doors.



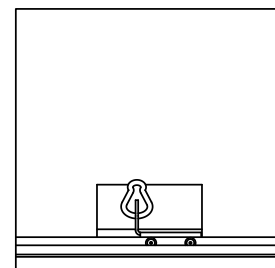
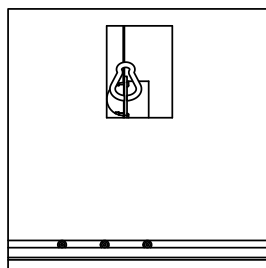
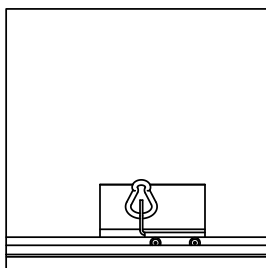
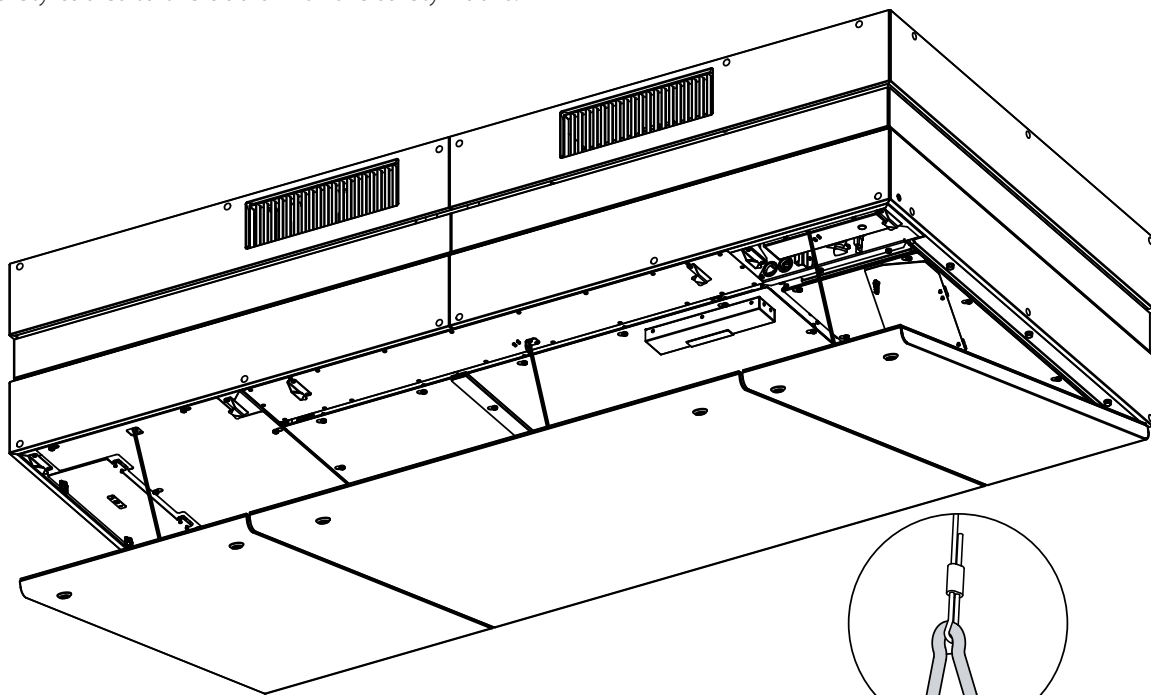
Hang the doors.



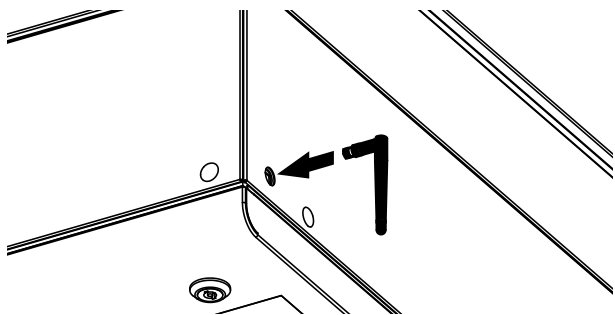
Install the retaining screws to prevent the doors from sliding off.



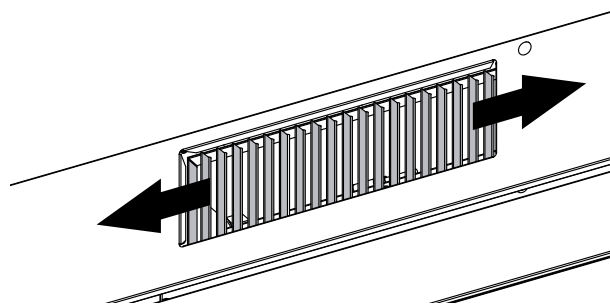
Attach the safety cables to the doors with the safety hooks.



Install the Wi-Fi antenna.

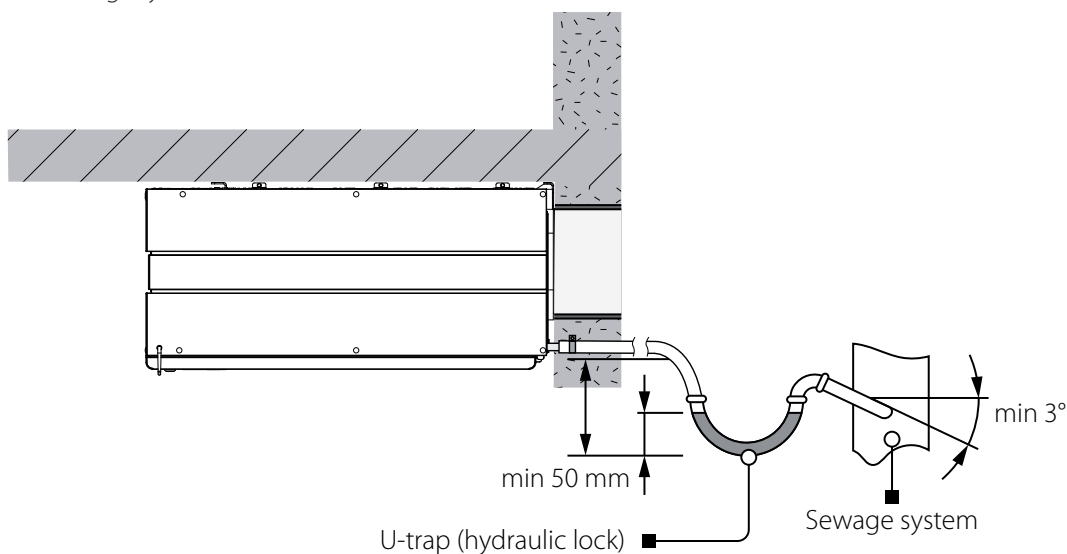


Manually adjust the swing of the louvre shutters.



CONDENSATE DRAINAGE ARRANGEMENT

The unit is equipped with a drain pump for timely removal of condensate from the unit. Connect the flexible hose going from the pump outlet to the sewage system.



WARNING! To ensure water drainage, pipes should be mounted with a slope of at least 3°.

Provide free drainage for the condensed water, otherwise it is accumulated inside the unit that may cause the equipment damage and condensate outflow to the room. The condensate drainage system is designed for normal operation in premises with air temperatures above 0 °C!


If the expected ambient air temperatures are below 0 °C the condensate drainage system must be equipped with heat insulation and pre-heating facilities.

MOUNTING EXTERNAL VENTILATION GRILLES/HOODS

Fix the external ventilation grilles/hoods to the external wall of the building according to the supplied installation instructions. The grilles are not included in the delivery set and can be purchased separately.



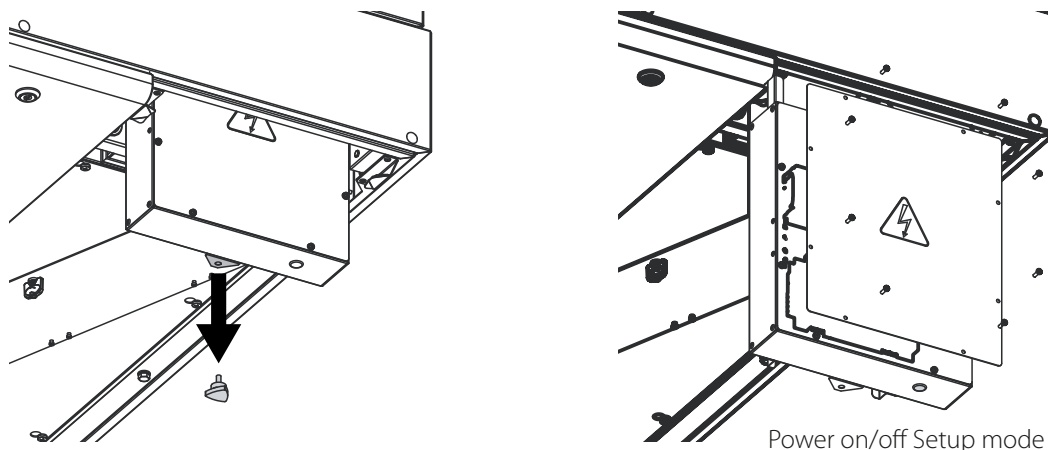
CONNECTION TO POWER MAINS



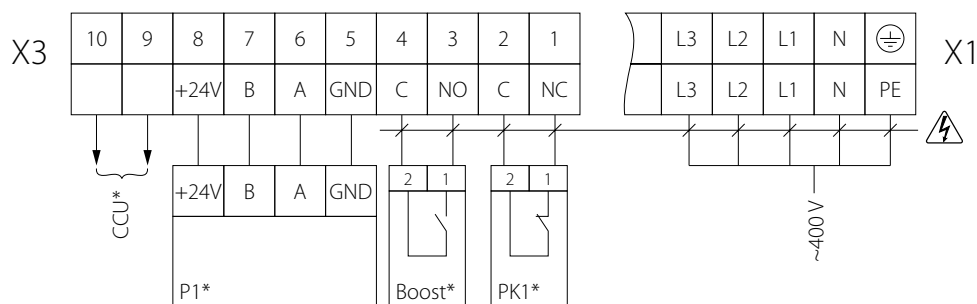
**POWER OFF THE POWER SUPPLY PRIOR TO ANY OPERATIONS WITH THE UNIT.
THE UNIT MUST BE CONNECTED TO POWER SUPPLY BY A QUALIFIED ELECTRICIAN.
THE RATED ELECTRICAL PARAMETERS OF THE UNIT ARE GIVEN ON THE
MANUFACTURER'S LABEL.**

- The unit is rated for connection to 3~400 V/50 (60) Hz power mains.
- The connection must be made using durable, insulated and heat-resistant conductors (cables, wires). The actual wire cross section selection must be based on the maximum load current, maximum conductor temperature depending on the wire type, insulation, length and installation method.
- The external power input must be equipped with a automatic circuit breaker built into the stationary wiring to open the circuit in the event of overload or short-circuit. The position of the external circuit breaker must ensure free access for quick unit power-off. The automatic circuit breaker nominal current must exceed the ventilator current consumption, refer to the Technical data section. The recommended trip current of the circuit breaker is the next current in the standard trip current row following the maximum current of the connected unit. The automatic circuit breaker is not included in the delivery set and can be ordered separately.

ACCESS TO THE CONTROL UNIT



EXTERNAL WIRING DIAGRAM



Designation	Unit name	Cable type	Maximum cable length	Note
CCU*	Compressor-condenser unit	2x0.75 mm ²	20 m	3 A, 30 DC/~250 AC
PK1*	Contact from a fire alarm panel	2x0.75 mm ²	20 m	Remove the jumper when connecting
P1*	Control panel S22; S25	4x0.25 mm ²	10 m	
Boost*	Contact on/off, Boost mode			

*Additionally connected devices are not included in the delivery set and should be purchased separately.

CONTROL

The unit can be controlled using a wired wall control panel (S22, S25), a wireless wall control panel (A22 Wi-Fi) and a mobile app (S21). The panels and the app can be used together or separately.

The control panel functions and operation of the mobile application are described in the respective user manuals.

TECHNICAL MAINTENANCE



DISCONNECT THE UNIT FROM POWER SUPPLY BEFORE ANY MAINTENANCE OPERATIONS!

Maintenance operations of the unit are required 3-4 times per year. Maintenance includes general cleaning of the unit and the following operations:

1. Filter maintenance.

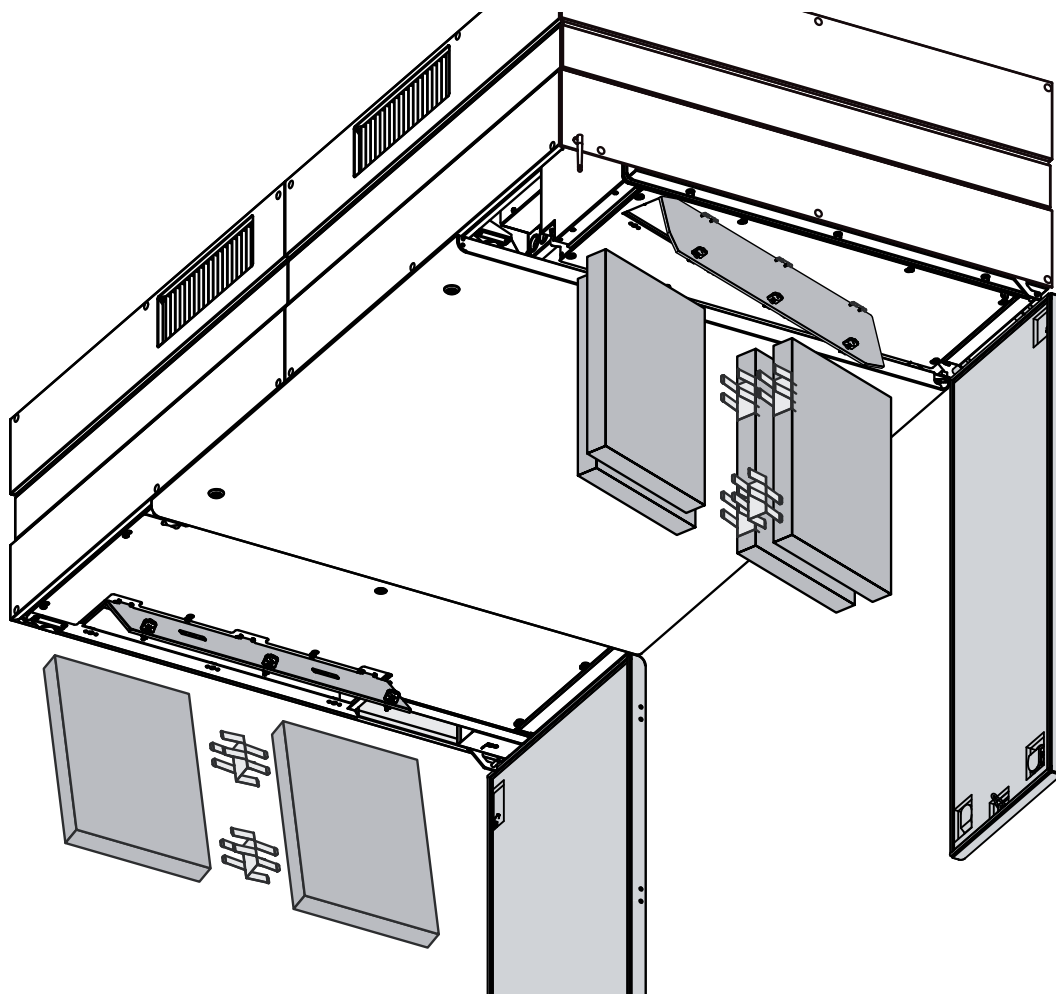
Dirty filters increase air resistance in the system and reduce supply air volume. The filters require cleaning not less than 3-4 times per year. Vacuum cleaning is allowed. After two consecutive cleanings filters must be replaced. For new filters contact the Seller.

Filter removal:

1. Disconnect the unit from power mains.
2. Open the left and right hinged doors with the key, then open the inspection hatches.
3. Pull the filters to remove.
4. If necessary, disconnect the filters connected with the fasteners.

Do not dispose the fasteners, which connect the filters; reuse them after cleaning or when replacing the filters.

5. After technical maintenance install the filters in the reverse order.

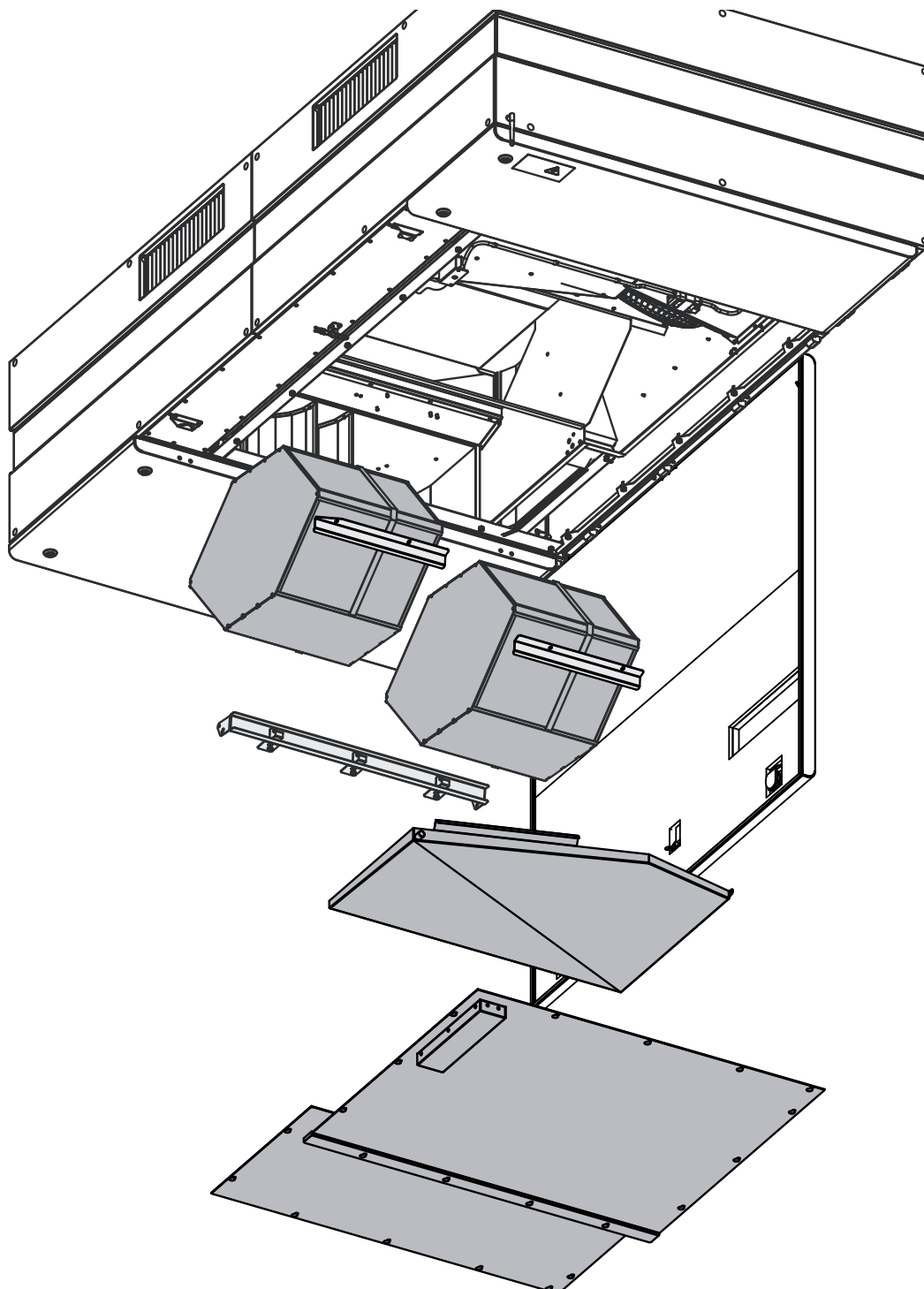


2. Heat exchanger maintenance (once per year).

Some dust may accumulate on the heat exchanger even in case of regular maintenance of the filters. To maintain the high heat recovery efficiency, regular cleaning is required. To clean the heat exchanger, remove it from the unit and clean the heat exchanger by using compressed air or a vacuum cleaner. After cleaning, re-install the heat exchanger into the unit.

Heat exchanger removal:

1. Disconnect the unit from power mains.
2. Open the middle hinged door of the unit with the key.
3. Loosen the screws securing the protective plates. Then move the plates so that the screw caps match the holes, and remove the plates.
4. Unscrew the screws holding the drain pan and remove it.
5. Unscrew the beam screws and remove it.
6. Unscrew the screws on the shorter retaining plate, remove it and pull the first heat exchanger to remove it from the unit. Then unscrew the screws on the second plate and remove the second heat exchanger.
7. After technical maintenance install the heat exchangers in the reverse order.



3. Fan maintenance (once per year).

Even in case of regular maintenance of the filters, some dust may accumulate inside the fans and reduce the fan performance and supply air flow. Clean the fans with a soft cloth, brush, or using compressed air. Do not use water, aggressive solvents, or sharp objects as they may damage the impeller.

4. Supply air flow control (twice per year).

The supply duct grille may get clogged with leaves and other objects reducing the unit performance and supply air delivery. Check the supply grille twice per year and clean it as required.

5. Ductwork system maintenance (once in 5 years).

Even regular fulfilling of all the maintenance operations prescribed above may not completely prevent dirt accumulation in the air ducts, which leads to air pollution and reduces the unit capacity. Duct maintenance means regular cleaning or replacement.

6. Control unit maintenance (if necessary).

The control unit is positioned inside the unit casing. To access the control unit, remove the fixing screws on the panel and remove the control unit lid.

TROUBLESHOOTING

PROBLEM	POSSIBLE REASONS	TROUBLESHOOTING
The fan(s) does (do) not start when the unit is on.	No power supply.	Make sure the power supply line is connected correctly, otherwise troubleshoot a connection error.
	The motor is jammed, the impeller blades are soiled.	Turn the unit off. Troubleshoot the motor jam and the impeller clogging. Clean the blades. Restart the unit.
Automatic circuit breaker trips following the unit turning on.	High current consumption due to short circuit in power line.	Turn the unit off. Contact the Seller.
Low air flow.	Low set fan speed.	Set higher speed.
	The filters and the fans are clogged, the heat exchanger is clogged.	Clean or replace the filters, clean the fans and the heat exchanger.
	Ventilation system elements (air ducts, diffusers, louver shutters, grilles) are clogged, damaged or closed.	Clean or replace the ventilation system elements, such as air ducts, diffusers, louver shutters, grilles).
Cold supply air.	The extract filter is clogged.	Clean or replace the extract filter.
	The heat exchanger is clogged.	Clean the heat exchanger.
Noise, vibration.	The impeller(s) is clogged.	Clean the impeller(s).
	The fan or casing screw connection is loose.	Tighten the screw connection of the fans or the casing against stop.
	No anti-vibration connectors on air duct pipe flanges.	Install anti-vibration connectors.

STORAGE AND TRANSPORTATION REGULATIONS

- Store the unit in the manufacturer's original packaging box in a dry closed ventilated premise with temperature range from +5 °C to +40 °C and relative humidity up to 70 %.
- Storage environment must not contain aggressive vapors and chemical mixtures provoking corrosion, insulation, and sealing deformation.
- Use suitable hoist machinery for handling and storage operations to prevent possible damage to the unit.
- Follow the handling requirements applicable for the particular type of cargo.
- The unit can be carried in the original packaging by any mode of transport provided proper protection against precipitation and mechanical damage. The unit must be transported only in the working position.
- Avoid sharp blows, scratches, or rough handling during loading and unloading.
- Prior to the initial power-up after transportation at low temperatures, allow the unit to warm up at operating temperature for at least 3-4 hours.

MANUFACTURER'S WARRANTY

The product is in compliance with EU norms and standards on low voltage guidelines and electromagnetic compatibility. We hereby declare that the product complies with the provisions of Electromagnetic Compatibility (EMC) Directive 2014/30/EU of the European Parliament and of the Council, Low Voltage Directive (LVD) 2014/35/EU of the European Parliament and of the Council and CE-marking Council Directive 93/68/EEC. This certificate is issued following test carried out on samples of the product referred to above.

The manufacturer hereby warrants normal operation of the unit for 24 months after the retail sale date provided the user's observance of the transportation, storage, installation, and operation regulations. Should any malfunctions occur in the course of the unit operation through the Manufacturer's fault during the guaranteed period of operation, the user is entitled to get all the faults eliminated by the manufacturer by means of warranty repair at the factory free of charge. The warranty repair includes work specific to elimination of faults in the unit operation to ensure its intended use by the user within the guaranteed period of operation. The faults are eliminated by means of replacement or repair of the unit components or a specific part of such unit component.

The warranty repair does not include:

- routine technical maintenance
- unit installation/dismantling
- unit setup

To benefit from warranty repair, the user must provide the unit, the user's manual with the purchase date stamp, and the payment paperwork certifying the purchase. The unit model must comply with the one stated in the user's manual. Contact the Seller for warranty service.

The manufacturer's warranty does not apply to the following cases:

- User's failure to submit the unit with the entire delivery package as stated in the user's manual including submission with missing component parts previously dismantled by the user.
- Mismatch of the unit model and the brand name with the information stated on the unit packaging and in the user's manual.
- User's failure to ensure timely technical maintenance of the unit.
- External damage to the unit casing (excluding external modifications as required for installation) and internal components caused by the user.
- Redesign or engineering changes to the unit.
- Replacement and use of any assemblies, parts and components not approved by the manufacturer.
- Unit misuse.
- Violation of the unit installation regulations by the user.
- Violation of the unit control regulations by the user.
- Unit connection to power mains with a voltage different from the one stated in the user's manual.
- Unit breakdown due to voltage surges in power mains.
- Discretionary repair of the unit by the user.
- Unit repair by any persons without the manufacturer's authorization.
- Expiration of the unit warranty period.
- Violation of the unit transportation regulations by the user.
- Violation of the unit storage regulations by the user.
- Wrongful actions against the unit committed by third parties.
- Unit breakdown due to circumstances of insuperable force (fire, flood, earthquake, war, hostilities of any kind, blockades).
- Missing seals if provided by the user's manual.
- Failure to submit the user's manual with the unit purchase date stamp.
- Missing payment paperwork certifying the unit purchase.



FOLLOWING THE REGULATIONS STIPULATED HEREIN WILL ENSURE A LONG AND TROUBLE-FREE OPERATION OF THE UNIT.



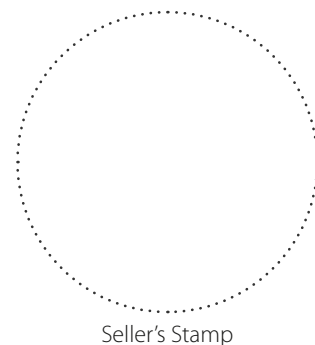
USER'S WARRANTY CLAIMS SHALL BE SUBJECT TO REVIEW ONLY UPON PRESENTATION OF THE UNIT, THE PAYMENT DOCUMENT AND THE USER'S MANUAL WITH THE PURCHASE DATE STAMP.

CERTIFICATE OF ACCEPTANCE

Unit Type	Single-room air handling unit
Model	CIVIC EC DB _____
Serial Number	
Manufacture Date	
Quality Inspector's Stamp	

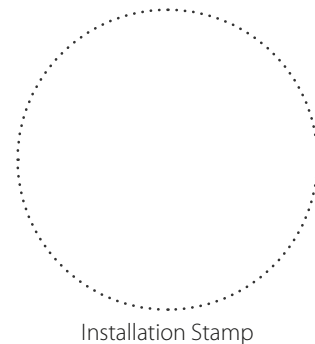
SELLER INFORMATION

Seller	
Address	
Phone Number	
E-mail	
Purchase Date	
This is to certify acceptance of the complete unit delivery with the user's manual. The warranty terms are acknowledged and accepted.	
Customer's Signature	



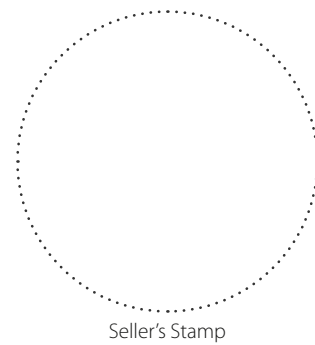
INSTALLATION CERTIFICATE

The CIVIC EC DB _____ unit is installed pursuant to the requirements stated in the present user's manual.	
Company name	
Address	
Phone Number	
Installation Technician's Full Name	
Installation Date:	Signature:
The unit has been installed in accordance with the provisions of all the applicable local and national construction, electrical and technical codes and standards. The unit operates normally as intended by the manufacturer.	
Signature:	



WARRANTY CARD

Unit Type	Single-room air handling unit
Model	CIVIC EC DB _____
Serial Number	
Manufacture Date	
Purchase Date	
Warranty Period	
Seller	





BLAUBERG
Ventilatoren

